

# Ground Fault Products Commercial Tamper-Resistant and Weather Resistant GFCI Receptacles

# HUBBELL

## Features

- Patented shutter design for tamper-resistant protection
- Meets NEC requirements for TR (517-18c) and WR (406.9), UV and corrosion resistance for harsh and damp applications
- Patented AUTOGUARD® self test technology
- Protects against line and load reversal, no power to the face or downstream if device is miswired

## Ordering Information

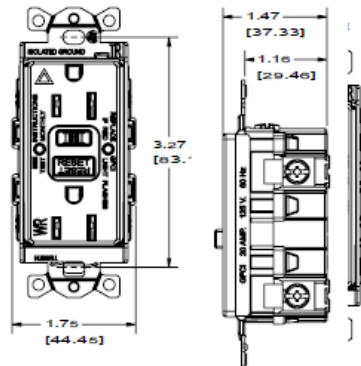
| Description   | Color | UPC          | Catalog Number |
|---|-------|--------------|----------------|
| 20A, 125V, Style Line®, isolated ground, AUTOGUARD® self test GFCI receptacle, tamper-resistant and weather resistant, flush face, back and side wired, multiple drive screws | Ivory | 883778122835 | GFTWRST20IIG   |

## Listings

UL Listed - Canadian and U.S.  
Meets ADA Standards  
Meets all NEC® requirements  
CSA Certified  
NEMA® WD-6 Compliant

## Specifications

|                 |                   |
|-----------------|-------------------|
| Face            | Nylon             |
| Base            | Nylon             |
| Power Contacts  | Brass             |
| Ground Contacts | Brass             |
| Mounting Strap  | Zinc plated steel |
| Mounting Screws | Zinc plated steel |



## Online Resources

[Customer Use Drawing](#)  
[eCatalog](#)  
[Installation Instructions](#)

Dimensions in Inches (mm)

Specifications subject to change without notice.

