

Single Pole Devices and Temporary Power

150A, 600V AC/DC

Female Receptacles

HUBBELL

Ordering Information

Description	Device Color	UPC Number	Catalog Number
150 amp Panel Mount, Stud Type 1 1/16" x 3/4", thermoplastic	Blue	783585458304	HBL15FRSBL

Listings

UL and cUL Listed
UL Enclosure Types 3R, 4X, 12
National Electric Code (NEC), ANSI/NFPA 70

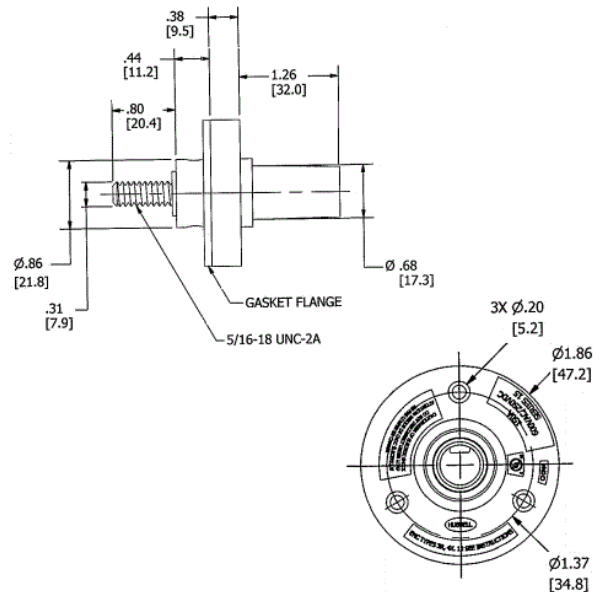
Specifications

Base Compound	Thermoplastic Elastomer (TPE)
Contact Material	Brass
Retaining Screw Material	Nylon
Mounting Hole	3x \varnothing .20"
Termination	5/16-18 Threaded Stud

Performance

Electrical	
Amperage Rating	150A Maximum
Voltage Rating	600V AC/DC Maximum

Mechanical	
Product Identification	Ratings are a permanent part of device
Terminal Accommodation	#8 to #2 AWG



Online Resources

Customer Sales Drawings
eCatalog
Installation Instructions

Dimensions in Inches (mm)

Specifications subject to change without notice.

