

Single Pole Devices and Temporary Power

Series 18 - 300A, 600V AC/DC

Female Plug

Features

- Extra Long non-conductive inner sleeve
- Turn and Lock Symbol aids in the mating of devices
- Easily Identifiable Cable with cut off points for secure fit

Ordering Information

Description	Device Color	UPC Number	Catalog Number
300A, thermoplastic elastomer, cable size #2 - 2/0 AWG	Black	78358553935	HBL18300FBK

Listings

UL and cUL Listed
UL Enclosure Types 3R, 4X, 12
National Electric Code (NEC), ANSI/NFPA 70

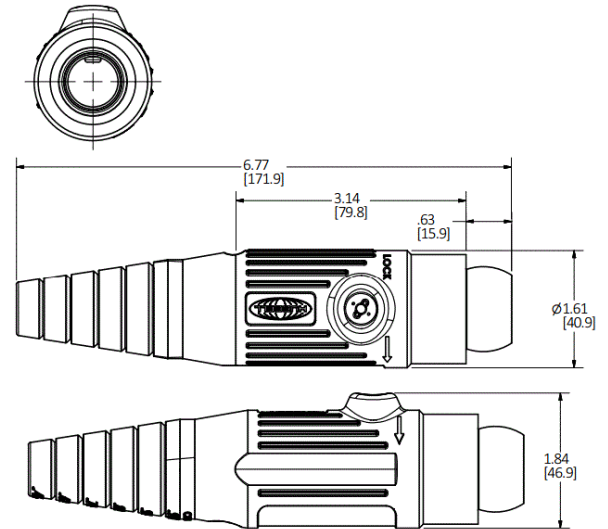
Specifications

Base Compound	Thermoplastic Elastomer
Contact Material	Brass
Retaining Screw Material	Nylon

Performance

Electrical	
Amperage Rating	300A Maximum
Voltage Rating	600V AC/DC Maximum
Mechanical	
Product Identification	Ratings are a permanent part of device
Terminal Accommodation	#2 to 2/0 AWG
Environmental	
Flammability	HB per UL94 or CSA 22.2. 0.17

HUBBELL



Online Resources

Customer Sales Drawings
eCatalog
Installation Instructions

Dimensions in Inches (mm)

Specifications subject to change without notice.

