

Single Pole Devices and Temporary Power

Series 18 - 300A, 600V AC/DC

Male Plug

Features

- Easy Grip Housing
- Non-Conductive Retaining Screw locks contacts in place
- Large Raised Alignment Arrow aids in the mating of devices

Ordering Information

| Description | Device Color | UPC Number | Catalog Number |
|--|--------------|-------------|----------------|
| 300A, thermoplastic elastomer, cable size #2 - 2/0 AWG | Blue | 78358553931 | HBL18300MBL |

Listings

UL and cUL Listed
UL Enclosure Types 3R, 4X, 12
National Electric Code (NEC), ANSI/NFPA 70

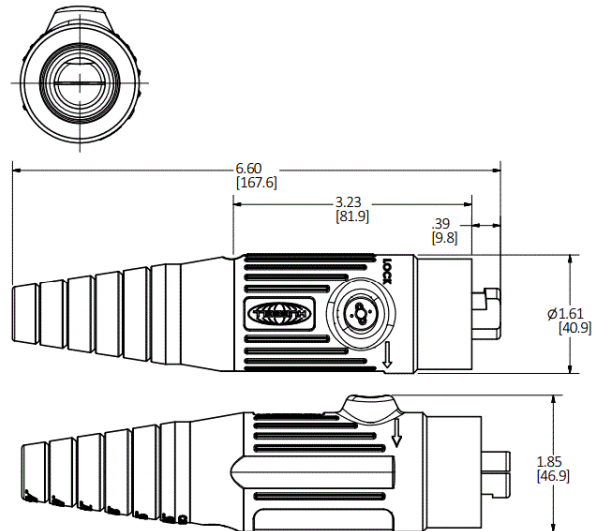
Specifications

| | |
|--------------------------|-------------------------|
| Base Compound | Thermoplastic Elastomer |
| Contact Material | Brass |
| Retaining Screw Material | Nylon |

Performance

| Electrical | |
|------------------------|--|
| Amperage Rating | 300A Maximum |
| Voltage Rating | 600V AC/DC Maximum |
| Mechanical | |
| Product Identification | Ratings are a permanent part of device |
| Terminal Accommodation | #2 to 2/0 AWG |
| Environmental | |
| Flammability | HB per UL94 or CSA 22.2. 0.17 |

HUBBELL



Online Resources

Customer Sales Drawings
eCatalog
Installation Instructions

Dimensions in Inches (mm)

Specifications subject to change without notice.

