

Twist-Lock® Devices
 30A, 250V AC, 2 Pole, 3 Wire Grounding
 Corrosion Resistant Single Flush
 Receptacle



Features

- Wire restraint recess for both back and side wiring, greatly reduces the possibility of loosening the terminal connection
- Face color coding by voltage facilitates locating and mating of proper devices
- Nickel plated brass mounting and grounding system provides a lower resistance ground path and greater resistance to corrosion than steel mounting systems

Ordering Information

Description	Device Color	UPC	Catalog Number
Corrosion resistant, nylon face.	Yellow	783585358505	HBL26CM20



Listings

Listed to UL 498
 Fed.Spec. W-C-596
 Certified to CSA C22.2 No.42

Specifications

Face	Nylon
Base	Glass-Reinforced thermoplastic polyester (RTP)
Contacts	Nickel Plated Brass
Terminal Screws	#10 - 32 Bronze
Mounting Strap	Nickel Plated Brass

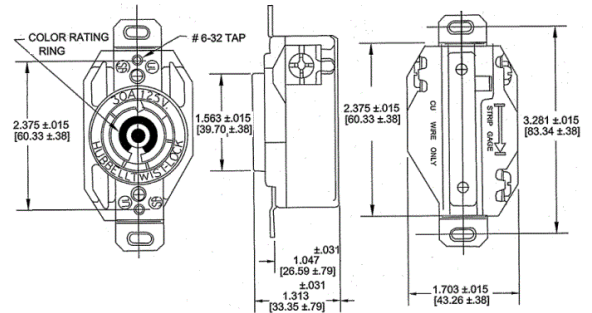
Performance

Electrical	
Current Interrupting	Certified for current interrupting at full rated current
Dielectric Voltage	Withstands 2,000V minimum

Mechanical	
Terminal Accommodation	#16 AWG - #8 AWG stranded copper wire only.

Terminal Identification	Terminals identified in accordance with UL 498
-------------------------	--

Environmental	
Flammability	V2 or better per UL94/CSA 22.2 No.0.17
Moisture Resistance	IP20 Suitability
Operating Temperatures	Maximum Continuous 75°C; Minimum -40°C (w/o impact)



Accessories

Plug	HBL26CM21
Wallplate or Weatherproof Cover	1.60" Opening

Resources

Customer Use Drawing
 eCatalog

