

## Single Pole Devices and Temporary Power

300A, 600V AC/DC

### Male Plug

#### Features

- Insulgrip® Style Housing for Superior Gripping
- Non-Conductive Retaining Screw locks contacts in place
- Large Raised Alignment Arrow aids in the mating of devices

#### Ordering Information

Description	Device Color	UPC Number	Catalog Number
300A, thermoplastic elastomer, cable size #6 - 2/0 AWG	Green	783585112114	HBL300MGN

#### Listings

UL and cUL Listed  
UL Enclosure Types 3R, 4X, 12  
National Electric Code (NEC), ANSI/NFPA 70

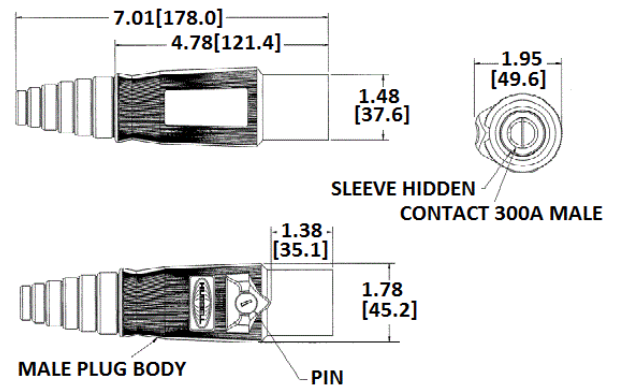
#### Specifications

Base Compound	Thermoplastic Elastomer
Contact Material	Brass
Retaining Screw Material	Nylon

#### Performance

Electrical	
Amperage Rating	400A Maximum
Voltage Rating	600V AC/DC Maximum
Mechanical	
Product Identification	Ratings are a permanent part of device
Terminal Accommodation	#6 to 2/0 AWG
Environmental	
Flammability	HB per UL94 or CSA 22.2. 0.17

# HUBBELL



#### Online Resources

Customer Sales Drawings  
eCatalog  
Installation Instructions

Dimensions in Inches (mm)

Specifications subject to change without notice.

