

## Single Pole Devices and Temporary Power

300A, 600V AC/DC

### Male Plug

#### Features

- Insulgrip® Style Housing for Superior Gripping
- Non-Conductive Retaining Screw locks contacts in place
- Large Raised Alignment Arrow aids in the mating of devices

#### Ordering Information

| Description  | Device Color | UPC Number   | Catalog Number |
|--|--------------|--------------|----------------|
| 300A, thermoplastic elastomer, cable size #6 - 2/0 AWG | Red          | 783585113036 | HBL300MR       |

#### Listings

UL and cUL Listed  
UL Enclosure Types 3R, 4X, 12  
National Electric Code (NEC), ANSI/NFPA 70

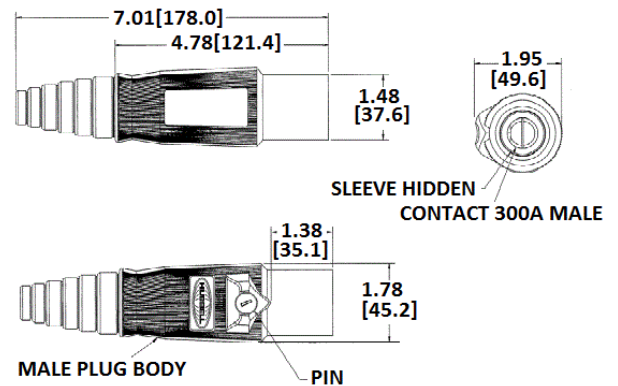
#### Specifications

|                          |                         |
|--------------------------|-------------------------|
| Base Compound            | Thermoplastic Elastomer |
| Contact Material         | Brass                   |
| Retaining Screw Material | Nylon                   |

#### Performance

| Electrical             |  |
|------------------------|--|
| Amperage Rating        | 400A Maximum                           |
| Voltage Rating         | 600V AC/DC Maximum                     |
| Mechanical             |  |
| Product Identification | Ratings are a permanent part of device |
| Terminal Accommodation | #6 to 2/0 AWG                          |
| Environmental          |  |
| Flammability           | HB per UL94 or CSA 22.2. 0.17          |

# HUBBELL



#### Online Resources

Customer Sales Drawings  
eCatalog  
Installation Instructions

Dimensions in Inches (mm)

Specifications subject to change without notice.

