

Raceway Metal Raceway Ground Clamp

HUBBELL

Features

- For use with HBL500, HBL700 and HBL750 Series Raceway
- Used to provide additional grounding of raceway or to ground remotely located devices.
- Attach ground wire to screw as required by National Electrical Code.

Ordering Information

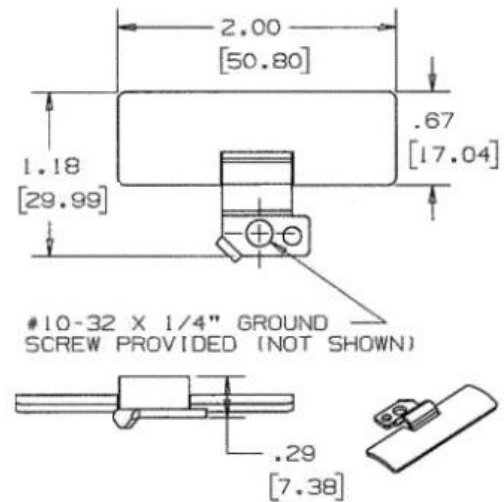
Description	Color	UPC Number	Catalog Number
Ground Clamp	Steel	783585216782	HBL5709

Listings

UL Listed
CSA Certified

Specifications

Height	2.00"
Width	0.5"
Length	0.1"



Online Resources

Customer Use Drawing
eCatalog
Installation Instructions