

**Raceway
Metal Raceway
Specialty Round Boxes**

HUBBELL

Features

- Retrofit Box for Fire Alarm Detectors
- For use with HBL500, HBL700 and HBL750 Series Raceway
- For installing round alarm sensors.

Ordering Information

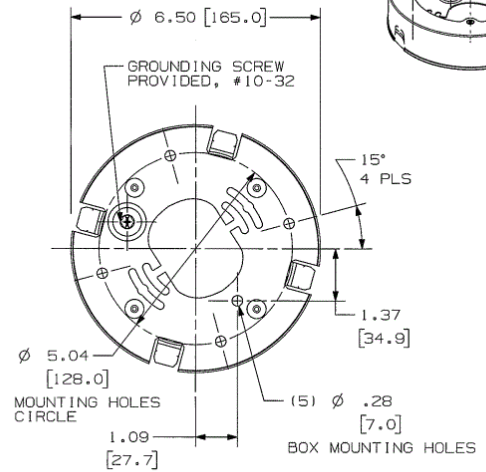
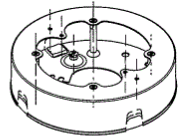
Description	Color	UPC Number	Catalog Number
Specialty Round Boxes	White	783585423326	HBL5739AABWA

Listings

UL Listed
CSA Certified

Specifications

Height	6.50"
Width	6.50"
Length	1.62"



Online Resources

Customer Use Drawing
eCatalog
Installation Instructions