

Raceway
Metal Raceway
1-Gang Shallow Box

HUBBELL

Features

- For use with HBL500, HBL700 and HBL750 Series Raceway
- Hubbell Handi-Screw® eases installation by eliminating difficult to install long screws
- Rounded corners with no sharp edges
- One seam construction provides a “clean” look
- Box design allows standard wallplates to be mounted flush with virtually no perimeter profile exposed

Ordering Information

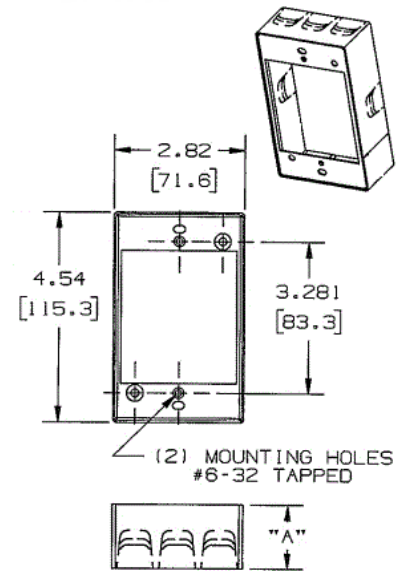
Description	Color	UPC Number	Catalog Number
1-Gang Shallow Box	Ivory	783585423517	HBL57471VA

Listings

UL Listed
 CSA Certified

Specifications

Height	4.54"
Width	2.82"
Length	1.38"



Online Resources

Customer Use Drawing
 eCatalog
 Installation Instructions

Dimensions in Inches (mm)

Specifications subject to change without notice.

