

**Raceway
Metal Raceway
Armored Cable Connector**

HUBBELL

Features

- For use with HBL500, HBL700 and HBL750 Series Raceway
- For connecting 14/2, 14/3, 12/2 and 12/3 "MC" and armored cable to Hubbell fittings.
- A short piece of HBL500, HBL700 or HBL750 Series Raceway must be used between this connector and the Hubbell fitting.
- Not for connection to ½ in. (12.7) flex conduit.



Ordering Information

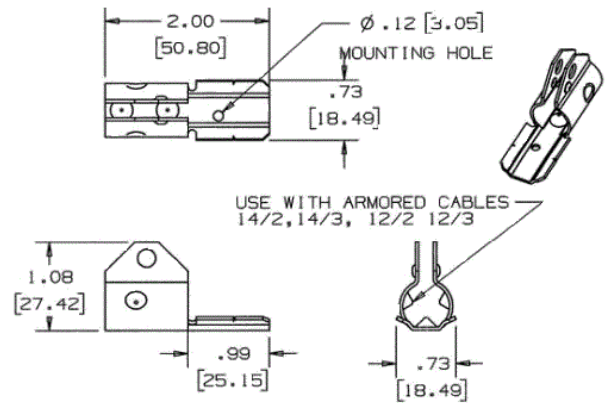
| Description | Color | UPC Number | Catalog Number |
|-------------------------|-------|--------------|----------------|
| Armored Cable Connector | Steel | 783585217352 | HBL5790B |

Listings

UL Listed
CSA Certified

Specifications

| | |
|--------|-------|
| Height | 0.99" |
| Width | 2.00" |
| Length | 0.99" |



Online Resources

Customer Use Drawing
eCatalog
Installation Instructions