

Wallplates
Weatherproof Covers for Receptacles

HUBBELL

For FS/FD Box Mounting

Features

- For use with 50A Twist-Lock Single Receptacles

Ordering Information

Description	Catalog Number	UPC
For use with 50A Twist-Lock® single receptacles, suitable for damp locations and wet	HBL7770	783585809519

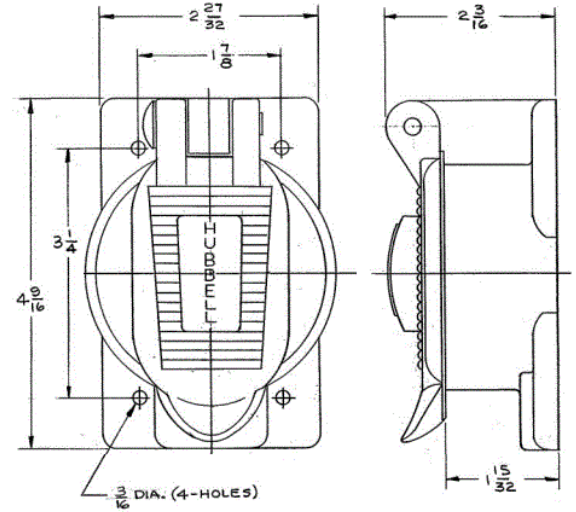


Listings

UL Listed - Canadian and U.S.

Specifications

Material	Aluminum
Rivet	Aluminum
Spring	Stainless steel
Gasket	Neoprene



Online Resources

[Customer Use Drawing](#)

[eCatalog](#)

Dimensions in Inches (mm)

Specifications subject to change without notice.

