

Straight Blade Devices  
15A, 125V, 2 Pole, 3 Wire Grounding  
Hospital Grade Plug

# HUBBELL

## Features

- Beveled housing prevents snagging
- Powerful, offsetting cord grips clamp on individual conductors

## Ordering Information

Description	Cord Diameter	UPC	Catalog Number
Black and white nylon	.230"-.720"(5.8-18.3)	783585179209	HBL8215C

## Listings

UL Listed to UL498 File No. E2186  
Certified to CSA, C22.2, No. 42 File 285  
Fed. Spec. W-C-596

## Specifications

Housing	Nylon
Terminal Retainer	PBT
Blades	.06" (1.5) Brass
Cord Clamp	Nylon
Terminal Screws	Brass
Terminal Clamp	Plated steel
Assembly Screws	Plated steel

## Performance

### Electrical

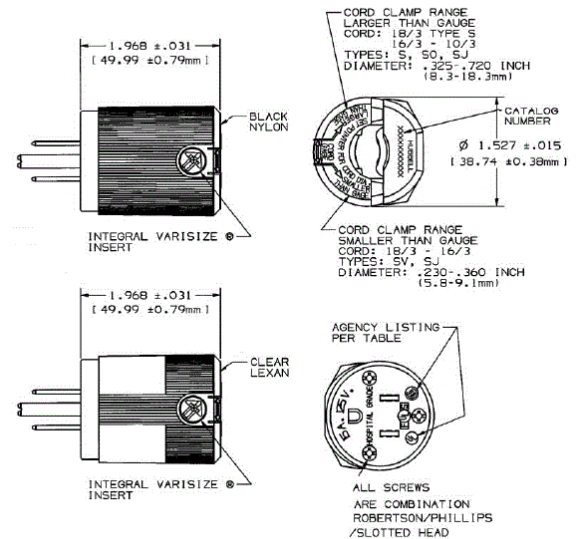
Current Interrupting Certified for current interrupting at full rated current  
Dielectric Voltage Withstands 2000V AC minimum

### Mechanical

Product Identification Ratings are a permanent part of the device  
Terminal Accommodation #18-10 AWG  
Terminal Identification Terminals identified in accordance with UL 498 and CSA

### Environmental

Flammability UL 94 HB or better  
IP Suitability IP20  
Operating Temperatures Maximum continuous 75°C; minimum -40°C (w/o impact)



## Resources

Customer Use Drawing  
eCatalog