

Large Capacity Flush Wall Boxes  
 Gangable AV Wall Boxes  
 3-Gang



**Features**

- Ideal for delivering power, data and AV side-by-side
- Accepts industry standard wallplates for consistent appearance
- Allows for multiple options for AV in-wall solutions
- Accepts HBL989 Low Voltage Divider



**Ordering Information**

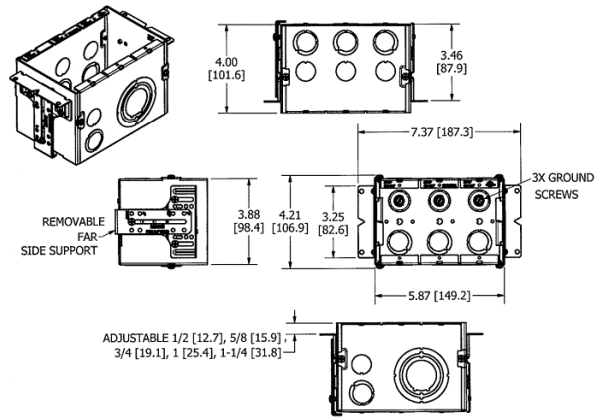
Description	Material	UPC Number	Catalog Number
3-Gang	Galvanized Steel	783585459769	HBL986

**Listings**

UL Listed

**Specifications**

Volume	79 cubic inches
Gangable Spacer	Galvanized Steel
Mounting Brackets	Galvanized Steel
Support Bracket	Galvanized Steel
Knockouts	Top: (2) 1/2" (2) 1/2" - 3/4" Tangential Knockouts Bottom: (1) 1/2", (1) 1/2" - 3/4" Tangential Knockouts, (1) 1", 1 1/4", 1 1/2" and 2" Back: (2) 1/2" - 3/4" Tangential Knockouts
Dimensions	4.21"H x 5.87"W x 4.00"D
Packing Quantity	One



**Complementary Products**

Low Voltage Partition	HBL989
-----------------------	--------

**Online Resources**

- Customer Use Drawing
- eCatalog
- Installation Instructions

