

## Single Pole Devices and Temporary Power

### Series 16 - 300 and 400A, 600V AC/DC

## Tri-Tap T Connector

# HUBBELL

### Ordering Information

| Description                                      | Device Color | UPC Number   | Catalog Number |
|--|--------------|--------------|----------------|
| Tri-Tap Connector<br>(Male-Female-Female-Female) | Brown        | 783585112770 | HBLM3FBN       |

### Listings

UL 498 and UL1691  
UL Enclosure Types 3R, 4X, 12

### Specifications

|                  |                         |
|------------------|-------------------------|
| Product Type     | T's" and Tri-Taps       |
| Tee and Tap Type | Tri-Tap                 |
| Body Material    | Thermoplastic Elastomer |
| Contact Material | Brass                   |

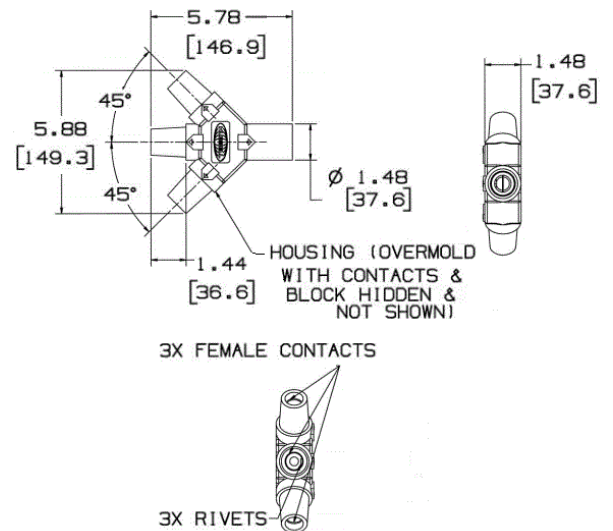
### Performance

#### Electrical

|                 |                    |
|-----------------|--------------------|
| Amperage Rating | 400A Maximum       |
| Voltage Rating  | 600V AC/DC Maximum |

#### Mechanical

|                        |  |
|------------------------|--|
| Product Identification | Ratings are a permanent part of the device |
|------------------------|--|



### Online Resources

Customer Sales Drawings  
eCatalog  
Installation Instructions

Dimensions in Inches (mm)

Specifications subject to change without notice.

