

Single Pole Devices and Temporary Power

400A, 600V AC/DC

Male Receptacles

HUBBELL

Ordering Information

Description	Device Color	UPC Number	Catalog Number
Bus Bar Mount, mates with 300 and 400A Plugs	Orange	783585192611	HBLMRBO

Listings

UL and cUL Listed
UL Enclosure Types 3R, 4X, 12
National Electric Code (NEC), ANSI/NFPA 70

Specifications

Base Compound	Thermoplastic Elastomer
Contact Material	Brass
Retaining Screw Material	Nylon
Mounting Hole	4x #10-32
Termination	5/16-18 UNC-2B Threaded Hole

Performance

Electrical

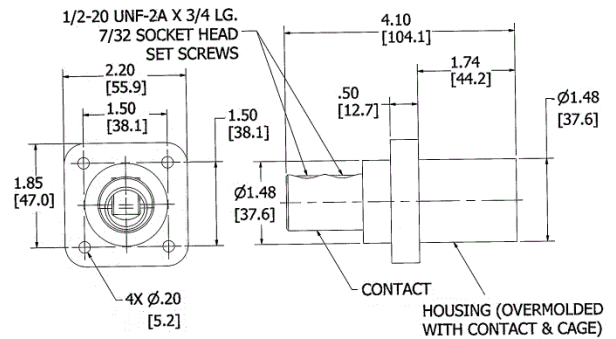
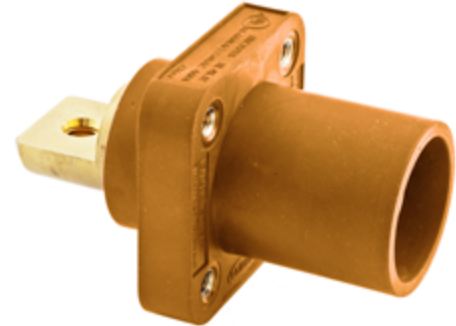
Amperage Rating	400A Maximum
Voltage Rating	600V AC/DC Maximum

Mechanical

Product Identification	Ratings are a permanent part of device
Terminal Accommodation	#4 to 4/0 AWG

Environmental

Flammability	HB per UL94 or CSA 22.2. 0.17
--------------	-------------------------------



Online Resources

Customer Sales Drawings
eCatalog
Installation Instructions

Dimensions in Inches (mm)

Specifications subject to change without notice.

