

## Wallplate With Label Fields

### Features

- Fits all Hubbell keystone connections (AV, data and fiber)
- Supplied with paper labels, clear and color match screw covers
- Secure; Requires removal to access connectivity

### Ordering Information

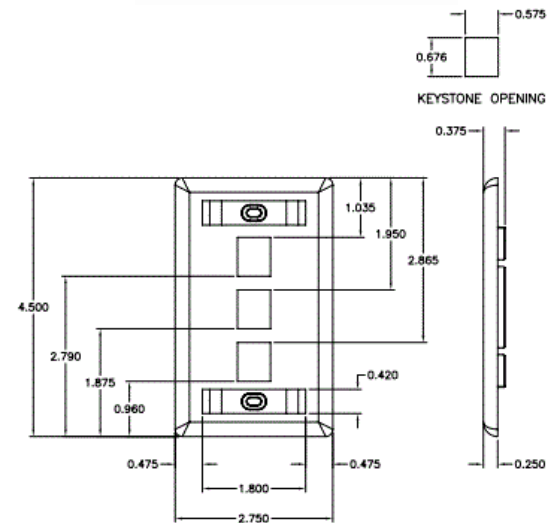
Description	Color	Catalog No.	UPC
IFP Wallplate with Label Fields, Single Gang, 3-Port	White	IFP13W	662620826486

### Listings

UL and cUL Listed 1863  
RoHS Compliant

### Specifications

Plate Material High-impact thermoplastic (UL 94V-0)



### Online Resources

[eCatalog](#)