

Floor Boxes

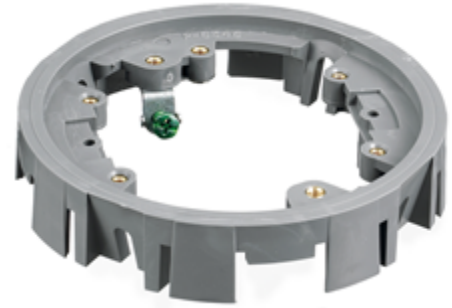
Flush Round Single or Multi-Service

Plastic Floor Box Adapter Ring

HUBBELL

Features

- Four hangers snap onto adapter and provide added support
- Includes four hangers for tile floors, four retainer clips and screws
- Accepts plastic and metallic floor box covers



Ordering Information

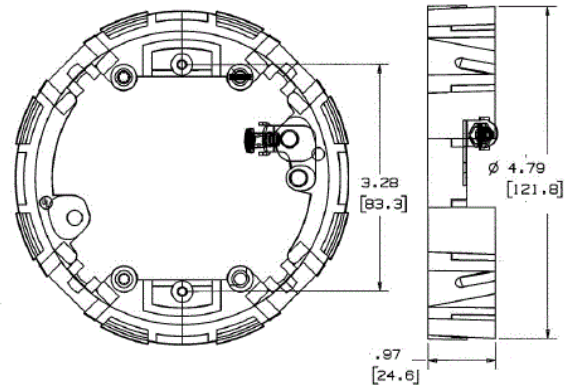
Description	Device Color	UPC	Catalog Number
Plastic Floor Box	Gray	783585342474	PFBA1A

Listings

UL File Number E92074
CSA File Number LR18416

Specifications

Material	PVC
Retainer Clips	Clips slide into slots in box wall
Adapter Version	Round



Online Resources

[Customer Use Drawing](#)
[eCatalog](#)
[Installation Instructions](#)

Dimensions in Inches (mm)

Specifications subject to change without notice.

