

Countertop Receptacles

20A 125v Tamper-Resistant Pop-Up Counter Receptacle

HUBBELL

Features

- Spill water tested
- Permanent installation ready (suitable for MC cable or non-metallic sheath cable)
- Push down to pop-up function is rated for a minimum of 10,000 cycles
- Easy installation - simply drop in and tighten

Ordering Information

| Description | Finish | UPC Number | Surface Mount |
|---|---------------|--------------|---------------|
| 20A 125V Tamper-Resistant Pop-Up Kitchen Counter Receptacle | Powder Coated | 883778309489 | RCT220BK |

Color/Material

Black

Listings

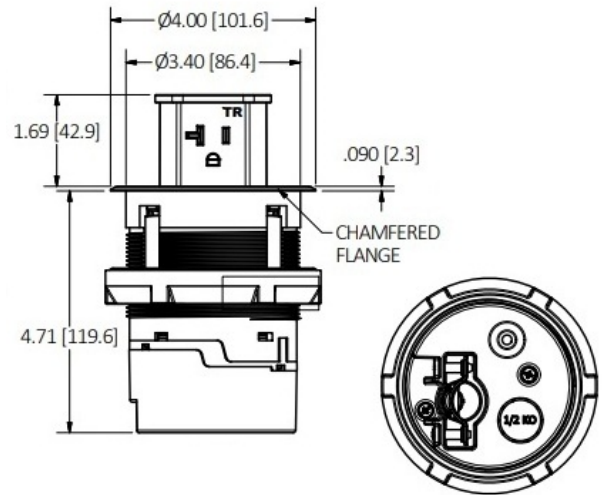
UL and cULus listed to UL498, Section 146

Specifications

| | |
|------------------|------------------------------|
| Cover and Flange | Die Cast Aluminum |
| Main Body | Engineered Thermoplastic PBT |
| Wiring Chamber | Die Cast Aluminum |
| Water Seals | Elastomers and Silicon |

Performance

| Electrical | |
|-------------------------|--|
| Configuration | 20 amp 125 volt, Tamper Resistant Receptacle |
| Circuit Rating | 20 amp non-feed through |
| Dielectric Voltage | Withstands 2,000V minimum |
| Mechanical | |
| Terminal Accommodation | #12 AWG copper stranded or solid conductor only |
| Terminal Identification | Terminals identified in accordance with UL 498 and CSA |
| Environmental | |
| Flammability | UL 94V-2 |
| Operating Temperature | Maximum continuous 75°C, minimum -40°C (w/o impact) |



Online Resources

Customer Use Drawing
eCatalog
Installation Instructions

Dimensions in Inches (mm)

Specifications subject to change without notice.

