

Floor Boxes
Residential Delivery Systems
Flush Floor Boxes for Wooden Floors



Features

- Pre-assembled flange and cover for fast installation
- Top screw fastening and side joist mounting provided
- Height accessible adjustments after the box is mounted

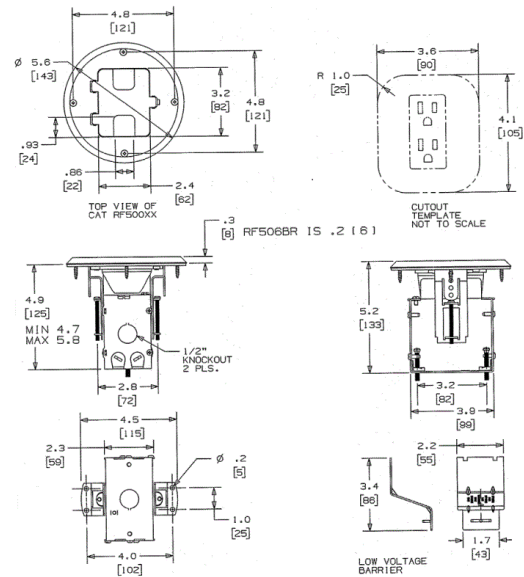


Ordering Information

| Description | Finish | UPC | Catalog Number |
|-------------------|-----------------|--------------|----------------|
| Flange and hinged | Stainless Paint | 883778112850 | RF506SS |

Specifications

| | |
|----------|----------|
| Material | Aluminum |
|----------|----------|



Online Resources

- Customer Use Drawing
- eCatalog
- Installation Instructions

