

**Floor Boxes**  
**Residential Delivery Systems**  
**Flush Floor Boxes for Wooden Floors**

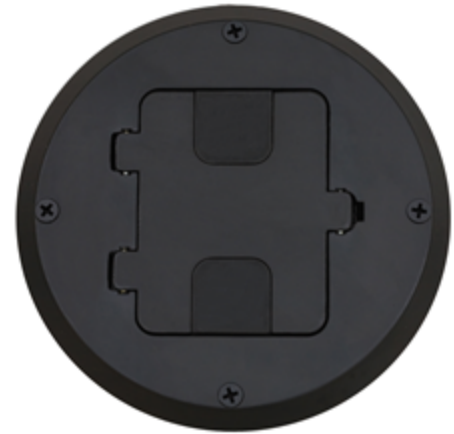


**Features**

- Pre-assembled flange and cover for fast installation
- Top screw fastening and side joist mounting provided
- Height accessible adjustments after the box is mounted

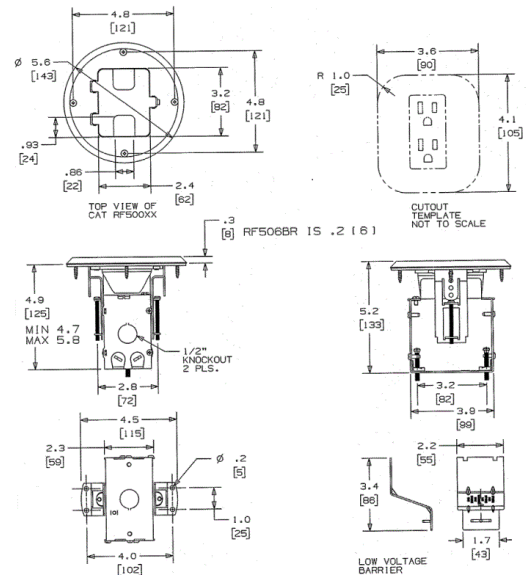
**Ordering Information**

Description	Finish	UPC	Catalog Number
Decorator duplex	Black Paint	883778300196	RF515BK



**Specifications**

Material	Aluminum
----------	----------



**Online Resources**

- [Customer Use Drawing](#)
- [eCatalog](#)
- [Installation Instructions](#)

