

**Floor Boxes**  
**Residential Delivery Systems**  
**Flush Floor Boxes for Wooden Floors**



**Features**

- Pre-assembled flange and cover for fast installation
- Top screw fastening and side joist mounting provided
- Height accessible adjustments after the box is mounted

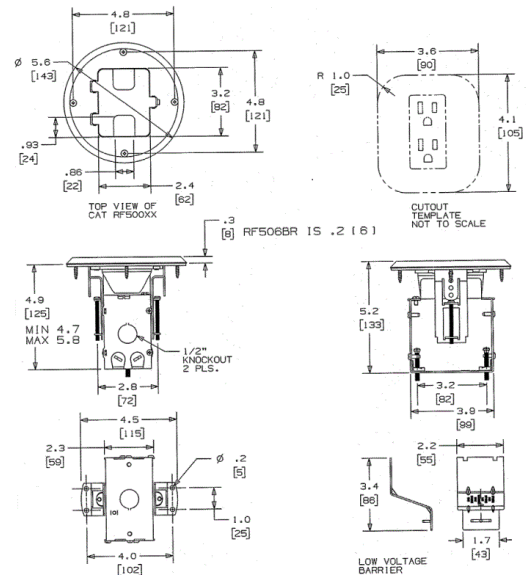
**Ordering Information**

Description	Finish	UPC	Catalog Number
Decorator duplex	Chrome Plated	883778300233	RF515CH



**Specifications**

Material	Chrome Plated
----------	---------------



**Online Resources**

- Customer Use Drawing
- eCatalog
- Installation Instructions

