

Floor Boxes
Residential Delivery Systems
Flush Floor Boxes for Wooden Floors

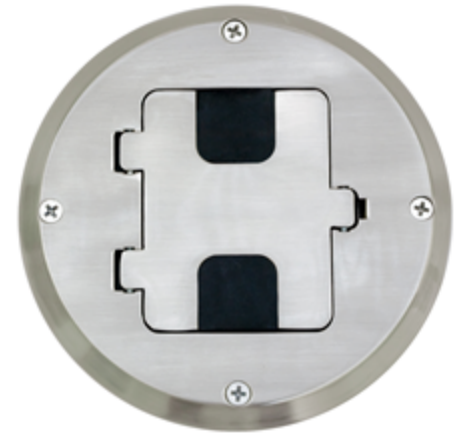


Features

- Pre-assembled flange and cover for fast installation
- Top screw fastening and side joist mounting provided
- Height accessible adjustments after the box is mounted

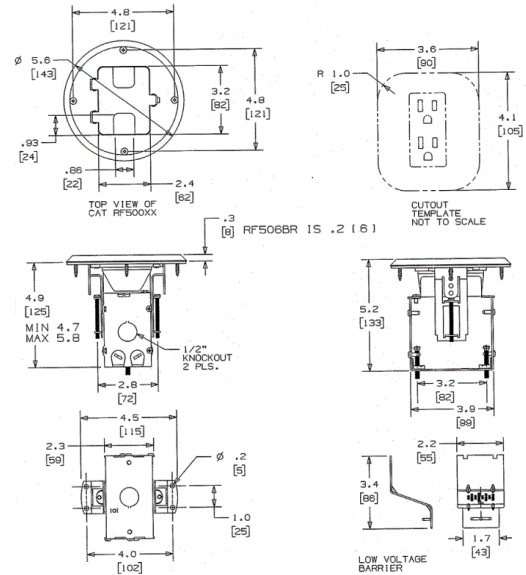
Ordering Information

Description	Finish	UPC	Catalog Number
Decorator duplex	Nickel Plated	883778300257	RF515NI



Specifications

Material	Nickel Plated
----------	---------------



Online Resources

- [Customer Use Drawing](#)
- [eCatalog](#)
- [Installation Instructions](#)