

Wallplates  
 While-In-Use Weatherproof Covers  
 For Maximum In-Use Protection

# HUBBELL

## Ordering Information

Description	Color	Catalog Number	UPC
1-gang, duplex, GFCI, toggle and single receptacle, vertical mounting	Gray	RW57300	883778303777

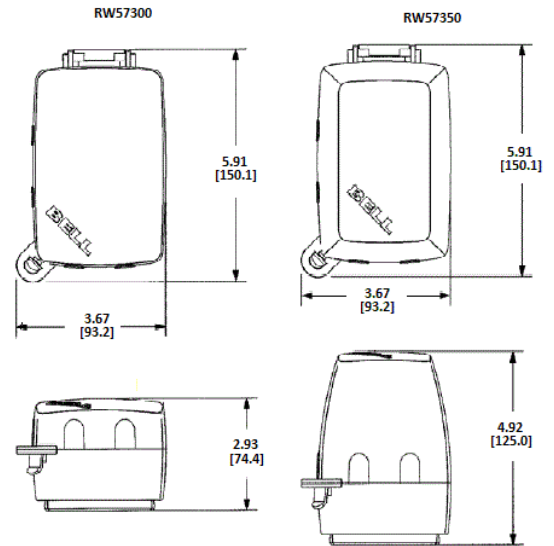


## Listings

UL Listed - Canadian and U.S.

## Specifications

Material	Thermoplastic
Gasket	Foam
Screws	Steel



## Online Resources

Customer Use Drawing  
 eCatalog

Dimensions in Inches (mm)

Specifications subject to change without notice.

