

Wallplates  
Weatherproof

# HUBBELL

## EXTRA DUTY® While-In-Use Covers

### Features

- Patented EZ Change Pin for Horizontal or Vertical Mount
- 2014 NEC Compliant EXTRA DUTY® Rated
- Fits Standard Devices and GFCI Openings
- 16 Configurations from 1 Catalog Number

### Ordering Information

Description	Color	Catalog Number	UPC
While-In-Use Cover, 1-gang, horizontal or vertical mount, standard cover depth	Clear	<b>RW58300</b>	883778305870

### Listings

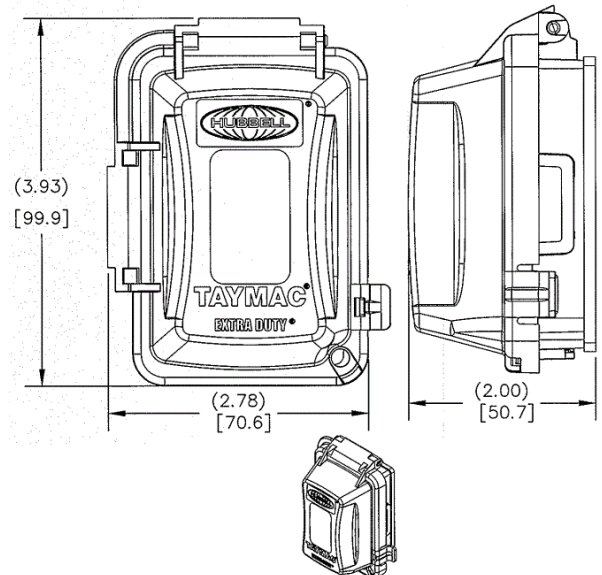
cULus Listed  
2014 NEC Article 406.9  
NEMA 3R Rating  
Meets UL514D Requirements

### Specifications

Cover and Base Material	High Impact Polycarbonate
Plate Type	1-Gang
Plate Openings	Configurable SKUs (16 in 1)
Mounting Screws	Zinc Coated Steel
Appearance	Smooth

### Online Resources

Customer Use Drawing  
eCatalog



Dimensions in Inches (mm)

Specifications subject to change without notice.

