

Wire Management Products

Cord and Cable Reels

Industrial Power Cord Reels

HUBBELL

Features

- Durable, Corrosion Resistant Cast Aluminum Construction
- UL Type 1
- Multi-Position Guide Arm can be mounted in two different positions
- Positive Latch mechanism automatically maintains desired cord length
- Ratchet Lock can be disengaged in field for constant tension applications

Ordering Information

Description

Yellow Industrial Reel with Yellow Portable Outlet Box, GFCI Module and (1) 20A Duplex Receptacle, UL Type 1, 25 Ft, #12/3 SJO, 20 A, 125 VAC

UPC

783585586274

Catalog Number

HBLI25123GF20Y

Listings

cULus Listed

Specifications

Spool	Aluminum
Guide Frame	Thermoplastic
Cord	Copper
Internal Terminals	Copper Alloy
Ball Stopper	Thermoplastic
Fitting	Aluminum

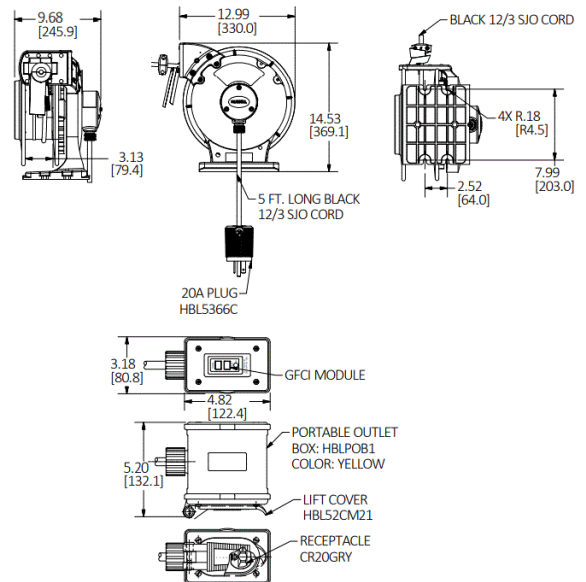
Performance

Electrical

Amperage	20 A
Max. Working Voltage	125V AC
Number of Wires	3-Wire

Environmental

Moisture Resistance Dry, Indoor, Non-Hazardous Locations - UL Type 1



Complementary Products

Pivot Base	HBLI340PB
Mounting Bracket	HBLIMB
Ball Stop	HBLI12BS

Online Resources

Customer Sales Drawing
eCatalog
Installation Instructions

Dimensions in Inches (mm)

Specifications subject to change without notice.

