

**Features**

- Durable, Corrosion Resistant Cast Aluminum Construction
- UL Type 1
- Multi-Position Guide Arm can be mounted in two different positions
- Positive Latch mechanism automatically maintains desired cord length
- Ratchet Lock can be disengaged in field for constant tension applications



**Ordering Information**

Description	UPC	Catalog Number
White Industrial Reel with LED Lamp, UL Type 1, 35 Ft, #16/3 SJO, 10 A, 125 VAC	783585669335	HBLI35163LED

**Listings**

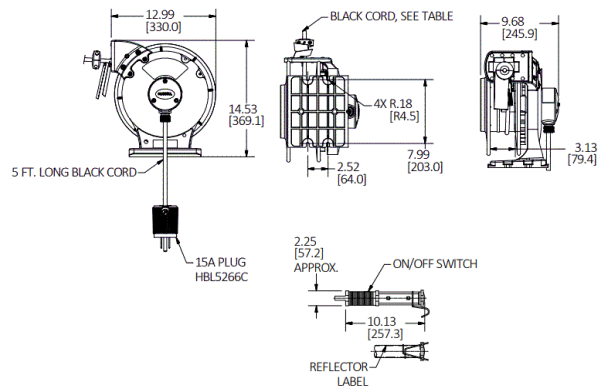
CULUS Listed

**Specifications**

Spool	Aluminum
Guide Frame	Thermoplastic
Cord	Copper
Internal Terminals	Copper Alloy
Ball Stopper	Thermoplastic
Fitting	Aluminum

**Performance**

Electrical	
Amperage	10 A
Max. Working Voltage	125V AC
Number of Wires	3-Wire
Environmental	
Moisture Resistance	Dry, Indoor, Non-Hazardous Locations - UL Type 1



**Complementary Products**

Pivot Base	HBLI340PB
Mounting Bracket	HBLIMB
Ball Stop	HBLI16BS

**Online Resources**

- Customer Sales Drawing
- eCatalog
- Installation Instructions