

Features

- Durable, Corrosion Resistant Cast Aluminum Construction
- UL Type 1
- Multi-Position Guide Arm can be mounted in two different positions
- Positive Latch mechanism automatically maintains desired cord length
- Ratchet Lock can be disengaged in field for constant tension applications

Ordering Information

| Description | UPC | Catalog Number |
|--------------------------------------------------------------------------------|--------------|----------------|
| White Industrial Reel with HBL2313, UL Type 1, 45 Ft, #12/3 SJO, 20 A, 125 VAC | 783585669199 | HBLI45123TL20 |

Listings

cULus Listed

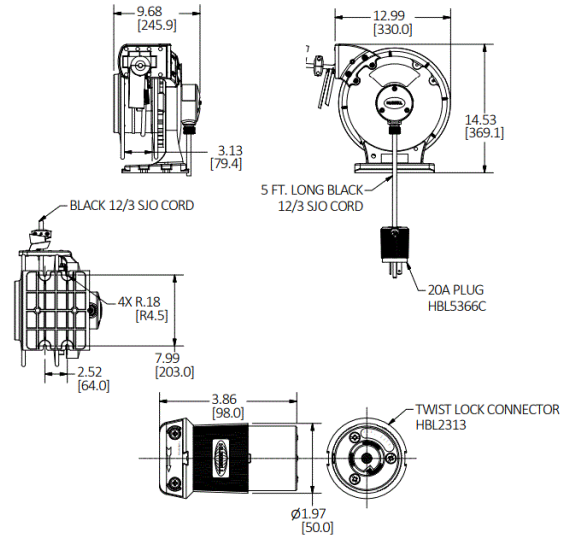
Specifications

| | |
|--------------------|---------------|
| Spool | Aluminum |
| Guide Frame | Thermoplastic |
| Cord | Copper |
| Internal Terminals | Copper Alloy |
| Ball Stopper | Thermoplastic |
| Fitting | Aluminum |

Performance

| Electrical | |
|----------------------|---------|
| Amperage | 20 A |
| Max. Working Voltage | 125V AC |
| Number of Wires | 3-Wire |

| Environmental | |
|---------------------|--------------------------------------------------|
| Moisture Resistance | Dry, Indoor, Non-Hazardous Locations - UL Type 1 |



Complementary Products

| | |
|------------------|-----------|
| Pivot Base | HBLI340PB |
| Mounting Bracket | HBLIMB |
| Ball Stop | HBLI12BS |

Online Resources

- Customer Sales Drawing
- eCatalog
- Installation Instructions