

## Wire Management Products

### Cord and Cable Reels

## Industrial Power Cord Reels

# HUBBELL

### Features

- Durable, Corrosion Resistant Cast Aluminum Construction
- UL Type 1
- Multi-Position Guide Arm can be mounted in two different positions
- Positive Latch mechanism automatically maintains desired cord length
- Ratchet Lock can be disengaged in field for constant tension applications

### Ordering Information

| Description   | UPC          | Catalog Number |
|---|--------------|----------------|
| Yellow Industrial Reel with HBL2313, UL Type 1, 45 Ft, #12/3 SJO, 20 A, 125 VAC | 783585585031 | HBLI45123TL20Y |

### Listings

cULus Listed

### Specifications

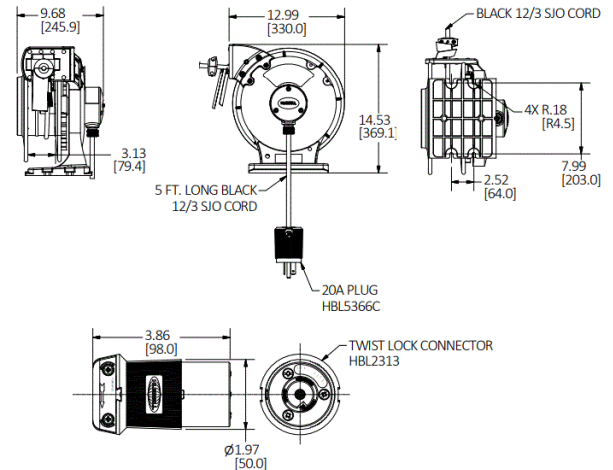
|                    |               |
|--------------------|---------------|
| Spool              | Aluminum      |
| Guide Frame        | Thermoplastic |
| Cord               | Copper        |
| Internal Terminals | Copper Alloy  |
| Ball Stopper       | Thermoplastic |
| Fitting            | Aluminum      |

### Performance

| Electrical           |         |
|----------------------|---------|
| Amperage             | 20 A    |
| Max. Working Voltage | 125V AC |
| Number of Wires      | 3-Wire  |

### Environmental

|                     |  |
|---------------------|--|
| Moisture Resistance | Dry, Indoor, Non-Hazardous Locations - UL Type 1 |
|---------------------|--|



### Complementary Products

|                  |           |
|------------------|-----------|
| Pivot Base       | HBLI340PB |
| Mounting Bracket | HBLIMB    |
| Ball Stop        | HBLI12BS  |

### Online Resources

Customer Sales Drawing  
eCatalog  
Installation Instructions

Dimensions in Inches (mm)

Specifications subject to change without notice.

