

Wire Management Products

Cord and Cable Reels

Industrial Power Cord Reels

HUBBELL

Features

- Durable, Corrosion Resistant Cast Aluminum Construction
- UL Type 1
- Multi-Position Guide Arm can be mounted in two different positions
- Positive Latch mechanism automatically maintains desired cord length
- Ratchet Lock can be disengaged in field for constant tension applications

Ordering Information

Description
White Industrial Reel with HBL5269C, UL Type 1, 45 Ft, #14/3 SJO, 15 A, 125 VAC

UPC
783585669083

Catalog Number
HBLI45143C15

Listings

cULus Listed

Specifications

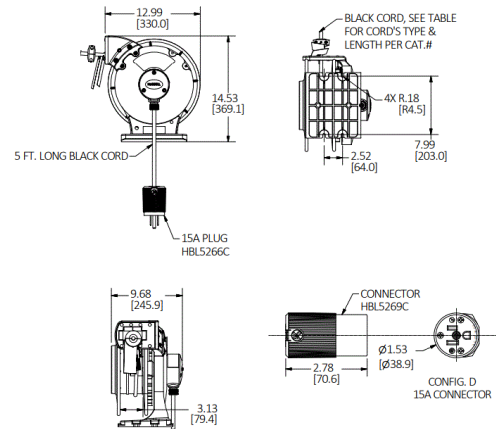
| | |
|--------------------|---------------|
| Spool | Aluminum |
| Guide Frame | Thermoplastic |
| Cord | Copper |
| Internal Terminals | Copper Alloy |
| Ball Stopper | Thermoplastic |
| Fitting | Aluminum |

Performance

| | |
|----------------------|---------|
| Electrical | |
| Amperage | 15 A |
| Max. Working Voltage | 125V AC |
| Number of Wires | 3-Wire |

Environmental

| | |
|---------------------|--|
| Moisture Resistance | Dry, Indoor, Non-Hazardous Locations - UL Type 1 |
|---------------------|--|



Complementary Products

| | |
|------------------|-----------|
| Pivot Base | HBLI340PB |
| Mounting Bracket | HBLIMB |
| Ball Stop | HBLI16BS |

Online Resources

Customer Sales Drawing
eCatalog
Installation Instructions

Dimensions in Inches (mm)

Specifications subject to change without notice.

