



# Part number

# CDAF 10



## Brief description:

female insert, 10 poles + PE, screw terminal connections, 16A, 250V, 4kV, 3, silver plated, size "49.16", CLASS insert series

Product description		Approvals / Standards	
<b>Model</b>	female insert	<b>Reference standard</b>	EN 61984 (2001-11)
<b>Version</b>	screw terminal connections	<b>Quality mark</b>	 EAC
<b>Series</b>	CDA	<b>Conformity</b>	CQC, CE
<b>Product type</b>	with female contacts	General ordering information	
<b>Variant</b>	with plate	<b>EAN13 code</b>	8015747012966
<b>Family</b>	CLASS inserts	<b>Tariff number</b>	85369095
<b>Size</b>	size "49.16"	<b>Country of origin</b>	Made in EU (IT)
<b>N. of poles</b>	10 poles + 	<b>ETIM classification</b>	EC000438
Technical data		Packaging Information	
<b>Current</b>	16 A (A.C. and D.C.)	<b>Packaging length</b>	230,00 mm
<b>Voltage</b>	250 V	<b>Packaging height</b>	110,00 mm
<b>Rated impulse withstand voltage</b>	4kV	<b>Packaging width</b>	130,00 mm
<b>Pollution degree</b>	3	<b>Packaging weight</b>	1,70 kg
<b>Wire cross-section</b>	0,75 mm <sup>2</sup> - 4,00 mm <sup>2</sup>	<b>Packaging volume</b>	3,29 dm <sup>3</sup>
<b>AWG size</b>	18 - 12	<b>Packaging description</b>	Carton box
<b>Operating temperature range (min, max)</b>	-40°C ... +125°C	<b>Packaging quantity</b>	30 Pcs
<b>Contact type</b>	silver plated	<b>Packaging EAN code</b>	8015747012973
<b>Mating cycles</b>	≥ 500	<b>Sub-packaging weight</b>	0,28 kg
<b>IP degree of protection</b>	IP20 without enclosure, IP65/IP66 with enclosure	<b>Sub-packaging description</b>	Carton
Further technical details		<b>Sub-packaging quantity</b>	5 Pcs
<b>Characteristics according to EN 61984</b>	16A 250V 4kV 3; 16A 230/400V 4kV 2	<b>Sub-packaging EAN barcode</b>	8015747012980
<b>Insulation resistance</b>	≥ 10 GΩ		
<b>Contact resistance</b>	≤ 0,3 mΩ		
<b>Rated voltage according to UL/CSA</b>	600V		
<b>UL 94 flammability rating</b>	V-0		
<b>Weight</b>	57,00 g		

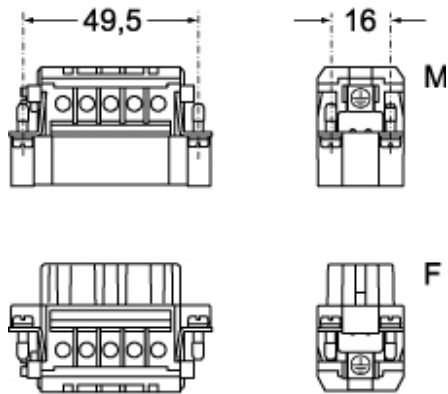
Part number

# CDAF 10

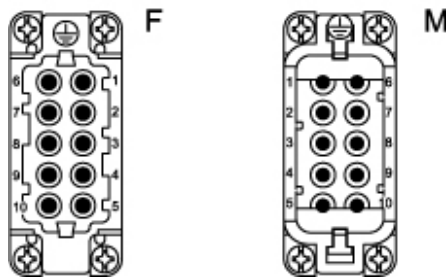


Catalogue drawings

## CDAM 10

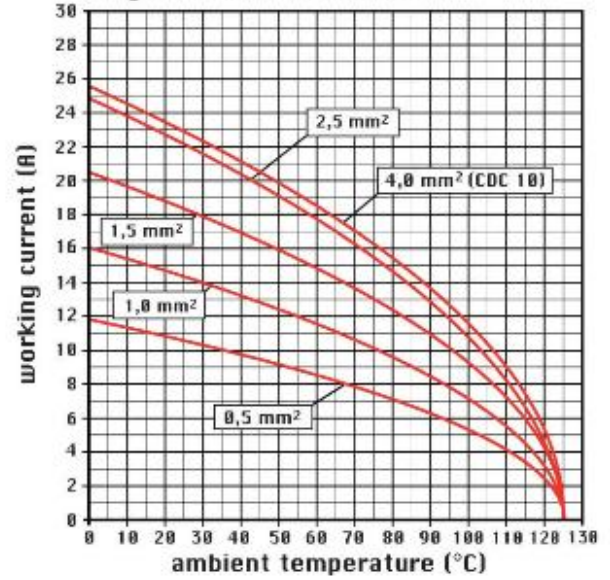


## CDAF 10



Catalogue drawings

diagram CDA and CDC 10 poles



## Notes

CDA ... : for non-prepared conductors



CDA ... X : for conductors with bush terminal