

Part number
CHO 24



Brief description:

hoods for two levers, size "104.27", side entry, Pg21, metal version, IP66



Product description	
Version	metal version
Series	hoods for two levers
Product type	with 4 pegs
Variant	side entry
Family	CLASS enclosures
Size	size "104.27"
Technical data	
Material	metal
IP degree of protection	IP66 (and IP69K DIN 40050 - 9)
Cable entry	Pg21
Further technical details	
Weight	200,00 g

Approvals / Standards	
Quality mark	SAIS (type:4/4X/12), [®] , EAC
Conformity	CQC, CE
General ordering information	
EAN13 code	8015747020053
Tariff number	85369095
Packaging Information	
Packaging length	250,00 mm
Packaging height	145,00 mm
Packaging width	300,00 mm
Packaging weight	4,15 kg
Packaging volume	10,88 dm ³
Packaging description	Carton box
Packaging quantity	20 Pcs
Packaging EAN code	8015747020060
Sub-packaging weight	1,04 kg
Sub-packaging description	Plastic packaging
Sub-packaging quantity	5 Pcs
Sub-packaging EAN barcode	8015747020077

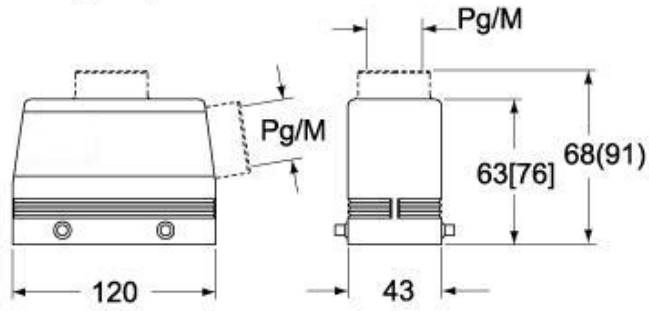
Part number

CHO 24



Catalogue drawings

**CHO [CAO] CHV (CAV) - MHO [MAO]
MHV (MAV)**



CHV G (CAV G) - MHV G (MAV G) - [MFV G]

