



Part number  
**CQM 05**



**Brief description:**

male insert, 5 poles + PE, crimp connections, 16A, 400V, 4kV, 3, size "21.21", CLASS insert series

Product description		Approvals / Standards	
<b>Model</b>	male insert	<b>Reference standard</b>	EN 61984 (2001-11)
<b>Version</b>	crimp connections	<b>Quality mark</b>	 , EAC
<b>Series</b>	CQ	<b>Conformity</b>	CQC, CE
<b>Product type</b>	for male contacts 16A	General ordering information	
<b>Family</b>	CLASS inserts	<b>EAN13 code</b>	8015747037310
<b>Size</b>	size "21.21"	<b>Tariff number</b>	85369095
<b>N. of poles</b>	5 poles + 	<b>Country of origin</b>	Made in EU (IT)
Technical data		<b>ETIM classification</b>	EC000438
<b>Current</b>	16 A (A.C. and D.C.)	Packaging Information	
<b>Voltage</b>	230 - 400 V	<b>Packaging length</b>	210,00 mm
<b>Rated impulse withstand voltage</b>	4kV	<b>Packaging height</b>	130,00 mm
<b>Pollution degree</b>	3	<b>Packaging width</b>	240,00 mm
<b>Operating temperature range (min, max)</b>	-40°C ... +125°C	<b>Packaging weight</b>	2,85 kg
<b>Mating cycles</b>	≥ 500	<b>Packaging volume</b>	6,55 dm <sup>3</sup>
<b>IP degree of protection</b>	IP20 without enclosure, IP44/IP66/IP67/IP68 and IP69 with enclosure	<b>Packaging description</b>	Carton box
Further technical details		<b>Packaging quantity</b>	200 Pcs
<b>Characteristics according to EN 61984</b>	16A 230/400V 4kV 3; 16A 320/500V 4kV 2	<b>Packaging EAN code</b>	8015747208925
<b>Insulation resistance</b>	≥ 10 GΩ	<b>Sub-packaging length</b>	197,00 mm
<b>Rated voltage according to UL/CSA</b>	600V	<b>Sub-packaging height</b>	35,00 mm
<b>UL 94 flammability rating</b>	V-0	<b>Sub-packaging width</b>	113,00 mm
<b>Weight</b>	13,25 g	<b>Sub-packaging weight</b>	0,57 kg
		<b>Sub-packaging volume</b>	0,78 dm <sup>3</sup>
		<b>Sub-packaging description</b>	Carton
		<b>Sub-packaging quantity</b>	40 Pcs
		<b>Sub-packaging EAN barcode</b>	8015747037327

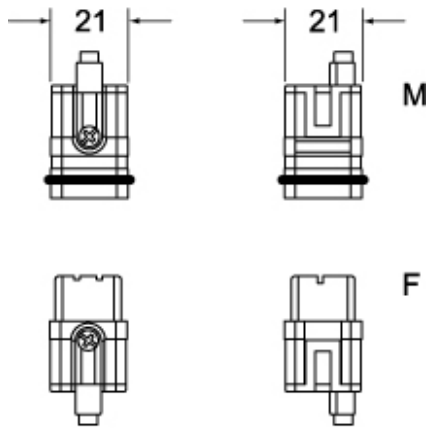
Part number

# CQM 05

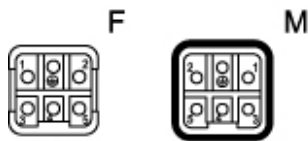


Catalogue drawings

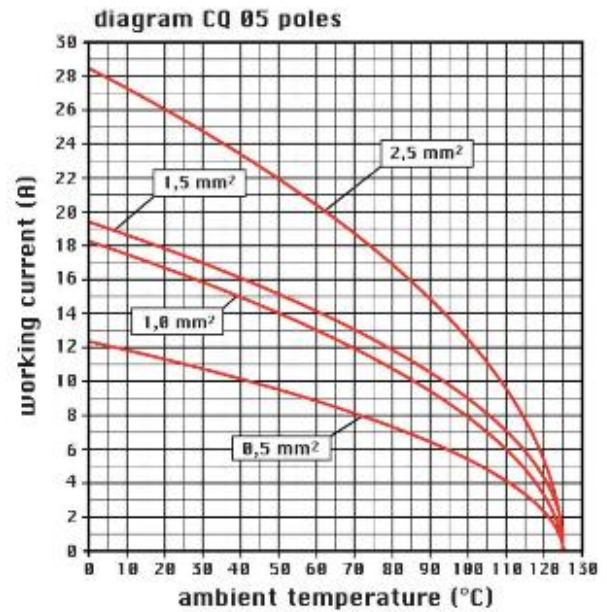
## CQM 05



## CQF 05



Catalogue drawings



## Notes

Inserts CQF-M 05:

- enclosures: size "21.21":
  - insulating type
  - metallic type
- W-TYPE aggressive environments
- EMC
- IP68
- rated voltage according to UL/CSA: 600V
- insulation resistance: > 10 GOhm
- ambient temperature limit: -40°C ... +125°C
- are made of self-extinguishing thermoplastic resin UL 94 V0
- mechanical life: > 500 cycles
- contact resistance: < 1 mOhm