
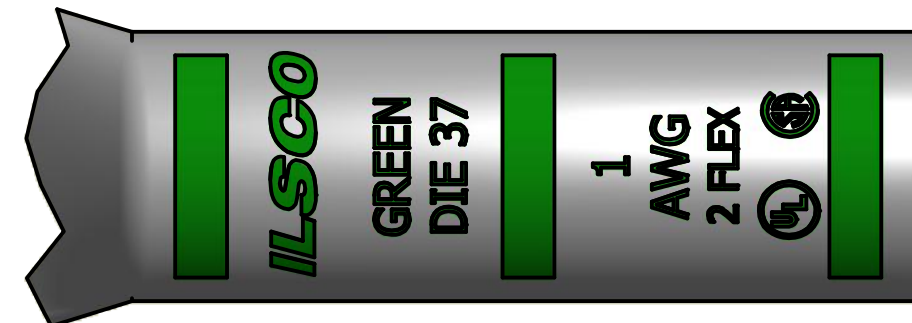
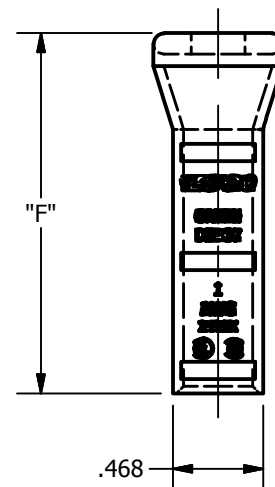
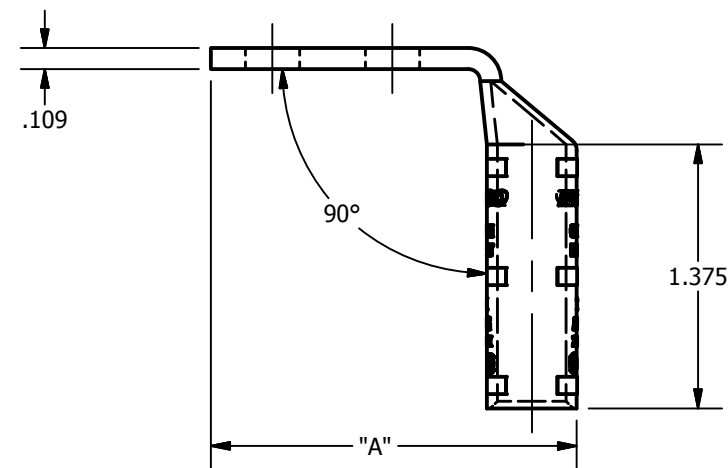
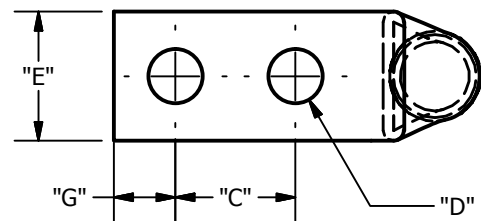


SCREW: NONE	MATERIAL: COPPER	REV: H	 800-776-9775 www.ilSCO.com
CAT. NO.: SEE CHART	PLATING: EL-TIN	DRAWN BY:DW SCALE: NTS	
INFORMATION SHEET:FORM 157	MARKING: SEE CHART	DATE:6/3/2008 SIZE: B	
		DWG NO: Y0603-D-9	
		SHEET: 1 OF 1	



DETAIL E
INK MARK TOP & BOTTOM

CATALOG NUMBER	"A"	"C"	"D"	"E"	"F"	"G"	TANG MARKING
CLNB-1-10-12-9	1.827	0.500	0.219	0.673	1.920	0.257	
CLNB-1-10-58-9	1.827	0.625	0.219	0.673	1.920	0.257	
CLNB-1-10-1116-9	1.827	0.687	0.219	0.673	1.920	0.257	
CLNB-1-10-34-9	2.014	0.750	0.219	0.673	1.920	0.257	
CLNB-1-10-1-9	2.264	1.000	0.219	0.673	1.920	0.257	
CLNB-1-14-12-9	1.827	0.500	0.281	0.673	1.920	0.320	
CLNB-1-14-58-9	2.014	0.625	0.281	0.673	1.920	0.320	ILSCO, CLNB-1-14-58-9, 1/4 X 5/8, 1 AWG, 2 FLEX, DIE 37, UL, CSA
CLNB-1-14-34-9	2.014	0.750	0.281	0.673	1.920	0.320	
CLNB-1-14-1-9	2.264	1.000	0.281	0.673	1.920	0.320	ILSCO, C-1-14-1-9, 1/4 X 1, 1 AWG, 2 FLEX, DIE 37, UL, CSA
CLNB-1-516-58-9	2.014	0.625	0.343	0.673	1.920	0.351	
CLNB-1-516-34-9	2.264	0.750	0.343	0.673	1.920	0.351	
CLNB-1-516-78-9	2.264	0.875	0.343	0.673	1.920	0.351	ILSCO, CLNB-1-516-78-9, 5/16 X 7/8, 1 AWG, 2 FLEX, DIE 37, UL, CSA
CLNB-1-516-1-9	2.514	1.000	0.343	0.673	1.920	0.351	
CLNB-1-516-134-9	3.077	1.750	0.343	0.673	1.920	0.351	
CLNB-1-38-34-9	2.264	0.750	0.406	0.673	1.920	0.414	
CLNB-1-38-78-9	2.514	0.875	0.406	0.673	1.920	0.414	
CLNB-1-38-1-9	2.514	1.000	0.406	0.673	1.920	0.414	ILSCO, CLNB-1-38-1-9, 3/8 X 1, 1 AWG, 2 FLEX, DIE 37, UL, CSA
CLNB-1-38-116-9	2.514	1.062	0.406	0.673	1.920	0.414	
CLNB-1-38-118-9	2.702	1.125	0.406	0.673	1.920	0.414	
CLNB-1-38-134-9	3.202	1.750	0.406	0.673	1.920	0.414	
CLNB-1-38-2-9	3.577	2.000	0.406	0.673	1.920	0.414	
CLNB-1-12-1-9	2.702	1.000	0.562	0.750	1.920	0.546	
CLNB-1-12-114-9	3.077	1.250	0.562	0.750	1.920	0.546	
CLNB-1-12-112-9	3.202	1.500	0.562	0.750	1.920	0.546	
CLNB-1-12-134-9	3.577	1.750	0.562	0.750	1.920	0.546	ILSCO, CLNB-1-12-134-9, 1/2 X 1 3/4, 1 AWG, 2 FLEX, DIE 37, UL, CSA
CLNB-1-12-178-9	3.577	1.875	0.562	0.750	1.920	0.546	