

Model 56

Current Transformer Window Diameter 2.06"

Application

With ammeters, wattmeters, and cross current compensation.

Frequency

50-400 Hz.

Insulation Level

600 Volt, 10 kV BIL full wave.

Flexible leads are UL 1015, 105 °C, CSA approved, #16 AWG, 24" long.

Non-standard, lead length can be specified.

Terminals are brass studs No. 8-32 with one flatwasher, lockwasher and regular nut.

SFT case styles also available as SFL with leads.

Approximate weight 0.6 lbs.



Models 56RT & 56RL Shown



Data Table: Model 56

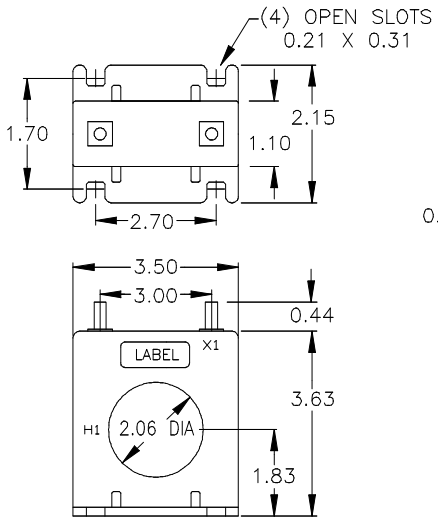
Catalog Number	Current Ratio	Accuracy at 60 Hz	Burden VA at 60 Hz
56**—500	50:5	± 3%	0.5
56**—750	75:5	± 1%	0.5
56**—101	100:5	± 1%	1.0
56**—151	150:5	± 1%	2.5
56**—201	200:5	± 1%	4.0
56**—251	250:5	± 1%	6.0
56**—301	300:5	± 1%	7.5
56**—401	400:5	± 1%	10.0
56**—501	500:5	± 1%	12.5
56**—601	600:5	± 1%	15.0
56**—751	750:5	± 1%	7.0
56**—801	800:5	± 1%	8.0
56**—102	1,000:5	± 1%	10.0
56**—122	1,200:5	± 1%	12.5

**Note: When ordering, prefix Cat No. with model designation required i.e. 56RL—101, 56RBL—251, etc.

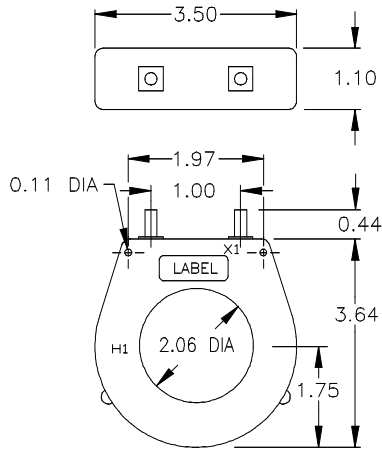


Model 56

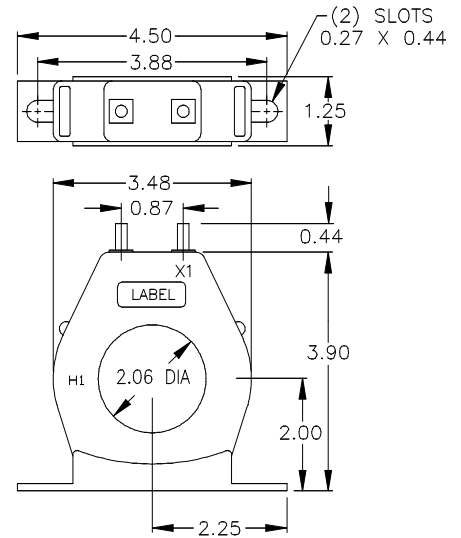
56SFT



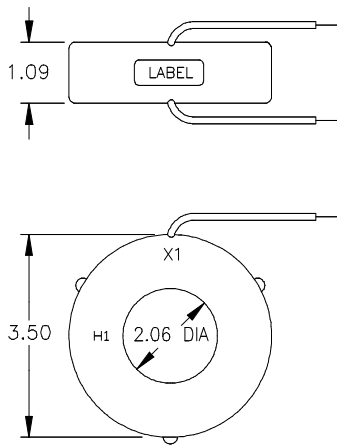
Model 56RT



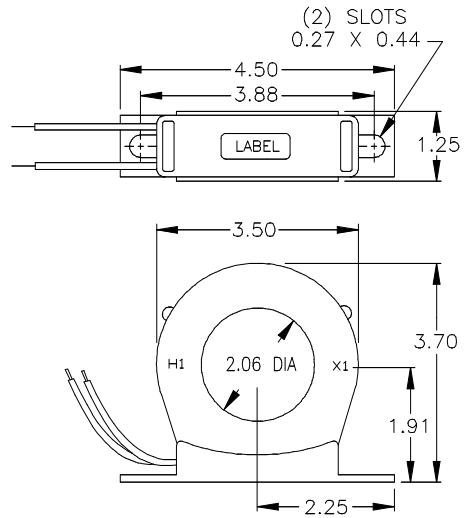
Model 56RBT



Model 56RL



Model 56RBL



Grid-AIS-L4-ITL_Model_56-1548-2017_05-EN. © Copyright 2017. General Electric Company and Instrument Transformers LLC reserve the right to change specifications of described products at any time without notice and without obligation to notify any person of such changes.

