

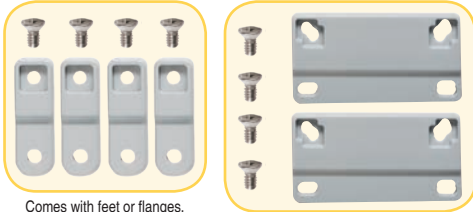


PREMIUM POLYCARBONATE ENCLOSURE

Features and Benefits

- 16 Standard configurations including hinged or non-hinged lids in 2-screw, 4-screw, or stainless steel metal latched lids.
- Standard color – light gray with a gloss finish.
- Best material – bases, opaque covers and clear covers are all made of high-impact, UV resistant polycarbonate.
- Easy ordering – one part number includes base, lid, mounting feet or flanges and all lid fastening hardware (mounting panels sold separately).
- Flexible interior mounting – features the unique and patented Integra adjustable depth “T-Rail” back panel mounting system (back panel and adjustable brackets sold separately).
- Features multiple bosses for easy installation of devices and DIN rails.
- UL-50 / c-UL Listed (files # E229365, # E207562)

Our Premium Line enclosures are the most durable, aesthetically pleasing, non-metallic Nema UL rated enclosures available. From the extremely versatile mounting options inside the enclosure to having the most off-the-shelf accessories, the Integra “Made In the USA” Premium Line enclosures provide great value to any application.



Comes with feet or flanges.



Atex pending, contact factory for details

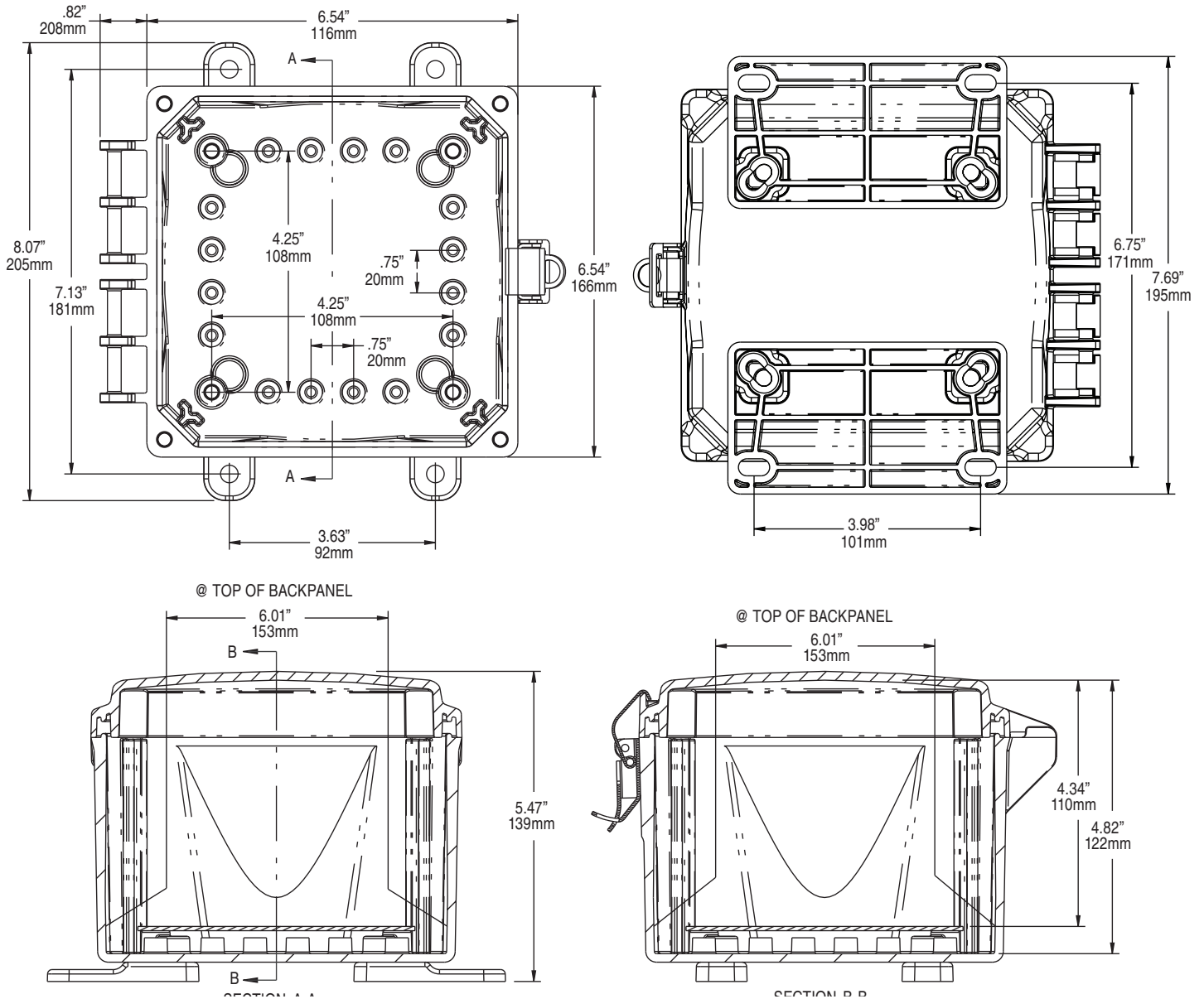
Mechanical and Thermal	Test Spec.	Unit	Premium Line
Instrumented Dart Impact @ 73° F		in/lb.	565
Falling Ball Impact @ 73° F	UL-746	in/lb.	900
Deflection Temperature @ 264 psi	ASTM D648	Deg. F	270
Modulus of Elasticity	ASTM D790	ksi	340
Temperature Range		Deg. F	-40 to 265
Flammable / UV Ratings	Test Spec.	Unit	Premium Line
Flame Rating - UL	UL 94	-	5VA
Outdoor UV Exposure	UL	-	F1

6064 P/N	4X IP66	6P IP68	Hinged Cover	Screw Cover	Opaque Cover	Clear Cover	Mounting Feet	Mounting Flange	Stainless Steel Locking Latch	T-Rail System
H6064S	✓	✓		✓	✓		✓			✓
H6064SC	✓	✓		✓		✓	✓			✓
H6064SF	✓	✓		✓	✓			✓		✓
H6064SCF	✓	✓		✓		✓		✓		✓
H6064H	✓		✓	✓	✓		✓			✓
H6064HC	✓		✓	✓		✓	✓			✓
H6064HF	✓		✓	✓	✓			✓		✓
H6064HCF	✓		✓	✓		✓		✓		✓
H6064HLL	✓		✓		✓		✓		✓	✓
H6064HCLL	✓		✓			✓	✓		✓	✓
H6064HFLL	✓		✓		✓			✓	✓	✓
H6064HCFLL	✓		✓			✓		✓	✓	✓
H6064H-6P	✓	✓	✓	✓	✓		✓			✓
H6064HC-6P	✓	✓	✓	✓		✓	✓			✓
H6064HF-6P	✓	✓	✓	✓	✓			✓		✓
H6064HCF-6P	✓	✓	✓	✓		✓		✓		✓

TORQUE SPECIFICATIONS - Mounting Brackets - 1/4"-20 x 0.25 SS, countersunk phillips drive screws (torque limit = 20 in. lbs.) | Covers / Doors - Torque for corner screws is 10 in. lbs.



6X6X4 PREMIUM LINE



Register online to download this drawing off the Integra website at www.integraenclosures.com | Your company's logo or other information on the lid. Consult factory for details.

Accessories for 6x6x4 (For complete accessories, see page 49-52)



Back Panels

ABP66 - Aluminum panel
SBP66 - Steel panel
PVCBP66 - PVC panel



Aluminum Swing Out Panels

ABP-66USP/USOPK - Complete panel kit
ABP-66USP - Aluminum swing out panels only
USOPK - Hardware only



Back Panel Adjustment Kit

BPAKG - Gray, Set Screw
BPAKB - Black, Set Screw
UBPAKG - Gray, Thumb Screw
UBPAKB - Black Thumb Screw



Air Vents

VENT 1 - Aluminum louvered
VENT 2 - Outdoor labyrinth



Steel Swing Out Panels

SBP-66USP/USOPK - Complete panel kit
SBP-66USP - Steel swing out panels only
USOPK - Hardware only



Cord Grips

IP68/NEMA 4X/6P rated
 See page 54 for more details and part numbers.



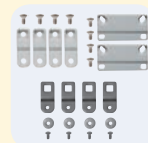
Din Rail

DIN 6 - 2 rails, 4 screws



Pole Mounting Kit

PMKG-26 - 2" pole
PMKG-36 - 3" pole
PMKG-46 - 4" pole
PMKG-126 - 12" pole



Mounting Feet & Flange Kits

MFKG - Premium line feet
MFKSS - Stainless steel feet
MFLK6 - 6" Flange kit