

## GMX Series

### 16 A General Purpose 1 and 2-Circuit Electronic Time Controls

Universal GMX Electronic Series Time Controls are a low-cost alternative for applications that do not require more than 16 A. Unit can be mounted in a UL Type 1 indoor or 3R outdoor enclosure.

#### Applications

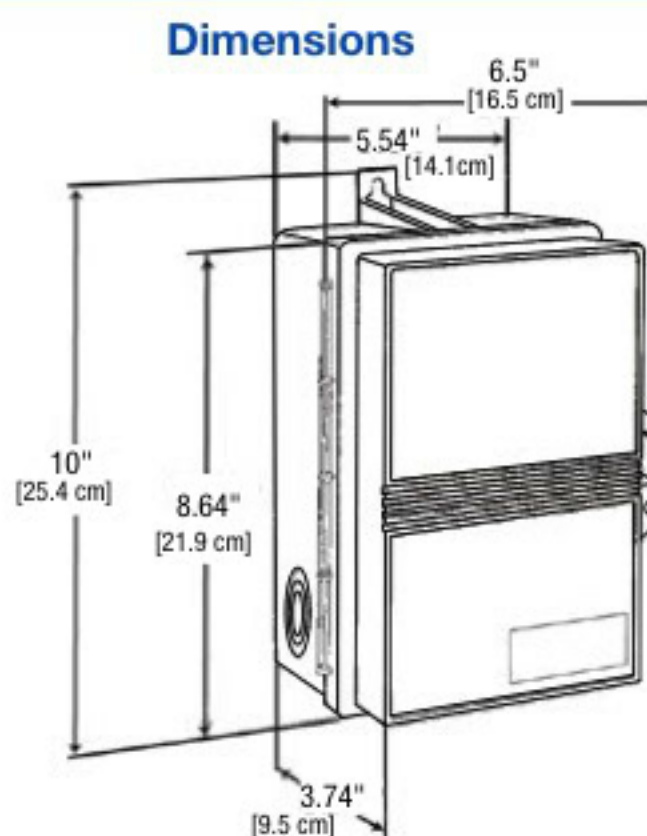
These light duty commercial time switches are ideal for 12, 24 VAC/VDC or 120, 240 VAC single-phase applications, such as:

- Lighting control • Access control • Heating • Air conditioning
- General electrical circuits • Pumps/motors/fan control

#### Features

- 24-Hour or 7-day applications
- Finger-safe terminals
- Manual Daylight Saving Time adjustment (D20 Models)
- Auto Daylight Saving Time adjustment (D50 Models)
- Manual override with load status indication
- GMXFM1D50 & GMX2FM2D50 models available in seven languages: English, German, French, Italian, Spanish, Dutch, and Portuguese
- Heavy-duty relay contacts for switching low or line voltage loads
- Non-metallic enclosure provides space for field added contactor or other accessories
- Available in 2-circuit

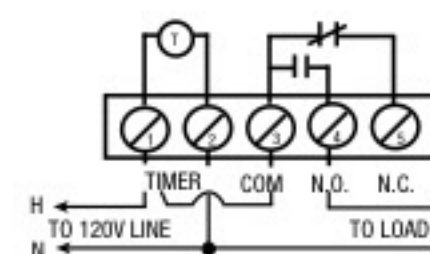
Model #	Model #	Input Voltage	Enclosure
20 Setpoints 7-Yr Battery Backup	50 Setpoints 3-Yr Battery Backup		
<b>1-Circuit</b>			
-	GMXFM1D50-I-12	12 VAC/VDC, 50/60 Hz	Type 1 Indoor
GMXFM1D20-I-24	GMXFM1D50-I-24	24 VAC/VDC, 50/60 Hz	
GMXFM1D20-I-120	GMXFM1D50-I-120	120 VAC, 50/60 Hz	
GMXFM1D20-I-240	GMXFM1D50-I-240	240 VAC, 50/60 Hz	
-	GMXFM1D50-O-12	12 VAC/VDC, 50/60 Hz	Type 3R Outdoor
GMXFM1D20-O-24	-	24 VAC/VDC, 50/60 Hz	
GMXFM1D20-O-120	GMXFM1D50-O-120	120 VAC, 50/60 Hz	
GMXFM1D20-O-240	-	240 VAC, 50/60 Hz	
<b>2-Circuit</b>			
-	GMX2FM2D50-I-24	24 VAC/VDC, 50/60 Hz	Type 1 Indoor
-	GMX2FM2D50-I-120	120 VAC, 50/60 Hz	
-	GMX2FM2D50-I-240	240 VAC, 50/60 Hz	
-	GMX2FM2D50-O-120	120 VAC, 50/60 Hz	Type 3R Outdoor



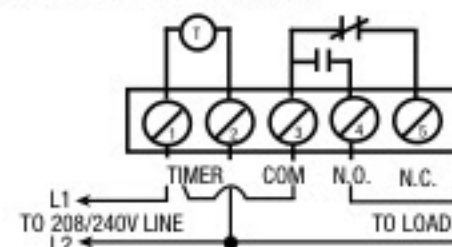
GMX

#### 1-Circuit Wiring Diagrams

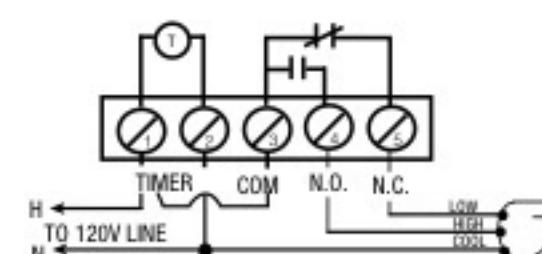
120 VAC Timer,  
120 VAC Load



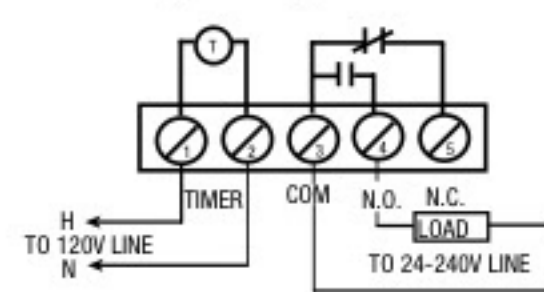
208/240 VAC Timer,  
208/240 VAC Load



120 VAC Timer, 24 VAC,  
120 VAC, or 240 VAC Load

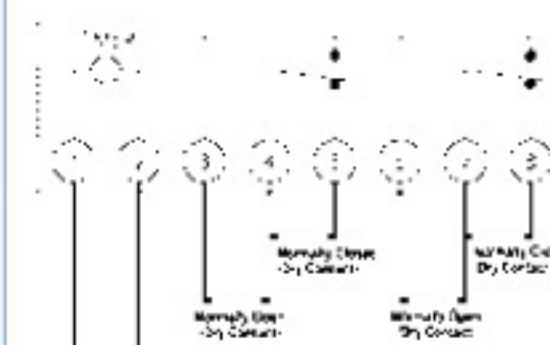


120 VAC, Two Speed Fan

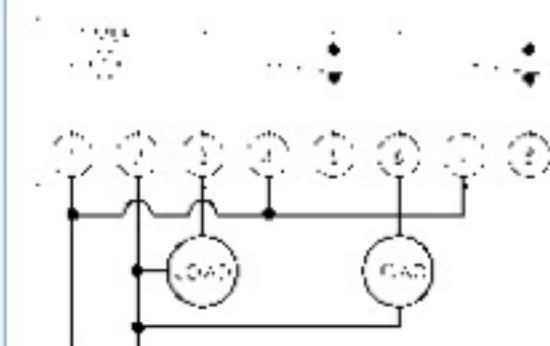


#### 2-Circuit Wiring Diagrams

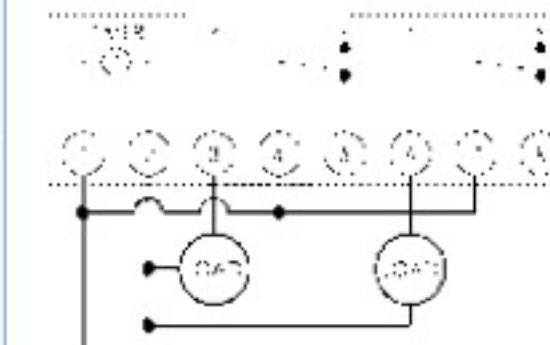
NO & NC Switching  
Configuration



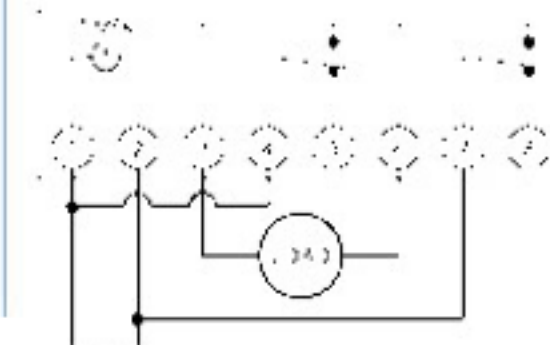
24 VAC/VDC



120 VAC



240 VAC



#### SPECIFIERS GUIDE

Furnish and install a Grässlin GMXFM1\_\_\_\_\_ (1 circuit) or GMX2FM\_\_\_\_\_ (2 circuit) 24-Hour/7-Day Electronic Time Switch. Both 1 and 2-circuit controls shall have 24-Hour/7-Day programming, and also offer 10 ON and 10 OFF (D20 Series), or 25 ON and 25 OFF (D50 Series) setpoint programs and include two pre-set block programs (D50 Series) or 3 preset block programs (D20 Series) to allow a selection of any combination of days for different weekday schedules. Each circuit on the 2-circuit models shall be independently programmable. The LCD shall display time of day in AM/PM or 24-Hour (military time) format and provide load status indication. A Daylight Saving Time button shall be provided (D20 series), or an Auto Daylight Saving Time Adjustment shall be provided (D50 Series). The time switch will be programmable to-the-minute and offer a manual override for ON/OFF to the next scheduled event. The SPDT relay output will be rated for 16 A Resistive @ 277 VAC. Reserve carry-over shall be 7 years (D20 series) and 3 years (D50 series) non-replaceable, non-rechargeable battery. The enclosures shall be UL Type 3R or UL Type 1, suitable for indoor or outdoor applications.

#### Ratings

Supply Voltage	12, 24 VDC/VAC; 120, 240 VAC, 50/60 Hz
Power Consumption	4 VA
Switch Type	SPDT
Contact Ratings (NO)	
Resistive	16 A, 277 VAC
Ballast	12 A, 120 VAC; 8 A, 240 VAC
Tungsten	600 W, 120 VAC; 1000 W, 240 VAC
Pilot Duty	360 VA, 120 VAC; 720 VA, 240 VAC
Motor	1/2 HP, 120 VAC; 1 HP, 240 VAC
Contact Ratings (NC)	
Resistive	16 A, 277 VAC
Pilot Duty	8A, 24 VDC
Operating Temperature	-13° F to 131° F (-25° C to 55° C) Limited display function at -13° F
Wiring Terminals	Screw
Shipping Weight	1.6 lbs. (0.73 kg)
Warranty	1-year limited