

HT-670x Series

TRUERH™ Humidity Transmitters

Description

TrueRH™ HT-670x Series Humidity Transmitters come in both wall or duct mount packages to meet a variety of sensing application needs. These attractively styled controllers offer ease of installation and application flexibility.

The transmitter generates a jumper-selectable output signal in either the 4 to 20mA or 0 to 10V range, corresponding to 0 to 100% Relative Humidity (RH).

TrueRH transmitters can measure RH within either $\pm 2\%$ or $\pm 3\%$ accuracy. The 2% models include a National Institute of Standards and Technology (NIST) certificate of conformance. The patented All-Polymer™ humidity sensor construction improves resistance to chemical corrosion.

Features

- TrueRH technology features patented improvements in circuitry and calibration techniques
- All-Polymer humidity sensor provides accurate and reliable humidity sensing with the patented sensing element
- tested and calibrated with equipment certified to be in compliance with National Institute of Standards and Technology (NIST) guidelines
- jumper-selectable output: 0 to 10 VDC or 4 to 20 mA maximizes application flexibility
- all-plastic material for duct probe improves thermal performance and complies with Underwriters Laboratories Inc.® (UL) flammability ratings for plenum use



HT-6703-0N00W
 Wall Mount Humidity Transmitter



HT-6703-0N00P
 Duct Probe Humidity Transmitter

Selection Charts

HE-670x Series Humidity Transmitters

Code Number	Description	RH Accuracy	
		$\pm 2\%$	$\pm 3\%$
HT-6702-0N00P	Duct Probe Humidity Transmitter	■	
HT-6702-0N00W	Wall Mount Humidity Transmitter	■	
HT-6703-0N00P	Duct Probe Humidity Transmitter		■
HT-6703-0N00W	Wall Mount Humidity Transmitter		■

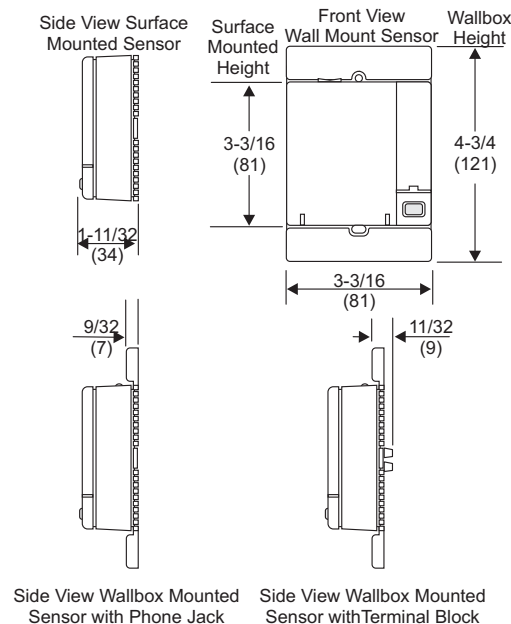
Accessories for HE-670x Series¹

Code Number	Description
ACC-DWCLIP-0	Drywall Spring-Clip Mounting Kit (10 per bag)
ACC-INSL-0 ²	Foam Pad Kit for Wallbox Mounting (10 per package)
ACC-INSL-1 ²	Foam Pad Kit for Surface Mounting (10 per package)
GRD10A-608	Plastic Guard with Baseplate and Mounting Ring
T-4000-119	Allen-Head Adjustment Tool (30 per bag)
TE-67MB-600	Mounting Base Kit
TE-67D0-601 ³	Door Replacement Kit with Johnson Controls logo (10 per box)
TE-67D0-602 ³	Door Replacement Kit with no logo (10 per box)

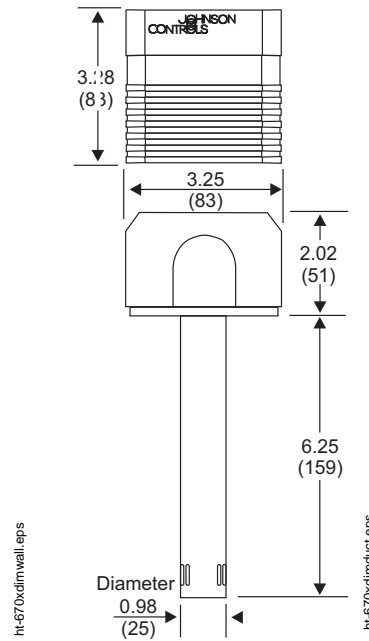
1. Accessories and replacement parts available for the wall mount humidity transmitter only. (No accessories exist for the duct probe model.)
2. These foam pads will help prevent drafts from entering the unit through the wall, and make installation easier when mounting on an uneven surface.
3. Contains 10 original style and 10 new style doors.

Repair Information

If the HT-670x Series Humidity Transmitter fails to operate within its specifications, replace the unit. For a replacement transmitter, contact the nearest Johnson Controls® representative.

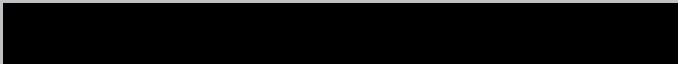


Wall Mount Humidity Transmitter
 Dimensions, in. (mm)



Duct Probe Humidity Transmitter
 Dimensions, in. (mm)

The performance specifications are nominal and conform to acceptable industry standards. For applications at conditions beyond these specifications, consult the local Johnson Controls office. Johnson Controls, Inc. shall not be liable for damages resulting from misapplication or misuse of its products. © 2012 Johnson Controls, Inc. www.johnsoncontrols.com



HT-670x Series TRUERH™ Humidity Transmitters (Continued)

Technical Specifications

HT-670x Series TRUERH™ Humidity Transmitters		
Power Requirements	If 0 to 10 VDC output jumper position is used:	20 to 30 VAC, 50/60 Hz at 15 mA or 14 to 30 VDC at 6 mA, Class 2
	If 4 to 20 mA output jumper position is used:	16 to 30 VDC at 20 mA, Class 2
Output Range (Jumper Selectable)		0 to 10 VDC (5k ohm minimum load impedance) or 4 to 20 mA DC (2-wire current loop) Maximum load impedance = 50 x (supply voltage - 15.5)
Humidity Transmitter Accuracy	HT-6702	±2% RH for 20 to 80% RH at 77°F (25°C) ±4% RH for 10 to 20% and 80 to 90% RH at 77°F (25°C)
	HT-6703	±3% RH for 20 to 80% RH at 77°F (25°C) ±5% RH for 10 to 20% and 80 to 90% RH at 77°F (25°C)
Humidity Element		All-Polymer sensing element
Temperature Coefficient		-0.1 to 0.05% RH/°C at 5°C (41°F) to -0.07 to -0.21% RH/°C at 65°C (149°F)
Response Time		Within 5% RH of actual in 15 minutes for 10 to 30%, 30 to 90%, and 40 to 90% RH
Electrical Connections		3-position screw terminal block
Ambient Operating Conditions		32 to 122°F (0 to 50°C) 0 to 100% RH, noncondensing; 85°F (29°C) maximum dew point
Survival Operating Conditions		-20 to 140°F (-29 to 60°C) 0 to 100% RH, noncondensing; 85°F (29°C) maximum dew point
Ambient Storage Conditions		-40 to 176°F (-40 to 80°C) 0 to 100% RH, noncondensing; 85°F (29°C) maximum dew point
Materials	Wall Mount:	White PC/ABS plastic enclosure and mounting base for surface or standard U.S. wallbox mounting, including hardware
	Duct Probe	Light gray plastic cover with dark gray housing and probe
Dimensions	Wall Mount (H x W x D)	3.20 x 3.20 x 1.34 in. (81 x 81 x 34 mm)
	Duct Probe (H x W x D)	3.28 x 3.25 x 8.27 in. (83 x 83 x 210 mm)
	Probe (L x D):	6.25 x 0.98 in. (159 x 25 mm)
Agency Compliance	Duct Probe Material:	94-5V flammability rated per UL 94