

Remote Indoor, Outdoor, and Duct Mount Temperature Sensors

The SEN-600-x Series of remote temperature sensors offers many options for remote sensing of indoor or outdoor temperatures for the T600 Series of programmable and non-programmable thermostats and the TEC2100 Metasys® system N2 networked thermostats. Additionally, a duct mount sensor is available for remote sensing of mixed air temperatures with the T600MEP or TEC2104 economizer thermostats.

Remote indoor air sensors are available in a sensing only model (SEN-600-1) or with an occupancy status Light-Emitting Diode (LED) and occupancy override button (SEN-600-4). Up to three remote indoor temperature sensors can be wired together for averaging.

Remote outdoor air sensors are available in an outdoor air shield (SEN-600-2) or in a duct mount configuration (SEN-600-3). The duct mount sensor can also be used for mixed air temperature sensing on the T600MEP and TEC2104 economizer thermostats. Both the outdoor air and duct mount sensors are wired directly to the thermostat and can be wired in a series parallel arrangement for averaging.



Figure 1: SEN-600-x Temperature Sensors

Features and Benefits	
<input type="checkbox"/> Single Assembly Ordering	Simplifies ordering; provides complete assembly (sensor and mounting hardware) in one box
<input type="checkbox"/> Remote Room Sensor with Override Button	Enables the user to override the unoccupied setpoints with the occupied setpoints from the remote sensor
<input type="checkbox"/> Remote Sensor Averaging	Allows averaging of up to three remote indoor sensors
<input type="checkbox"/> Noncorrosive Thermoplastic Enclosure (SEN-600-2 and SEN-600-3)	Resists environmental effects with a durable, easy-to-use, standard conduit enclosure

Product Overview

SEN-600-1 Remote Indoor Temperature Sensor includes:

- sensor
- mounting hardware

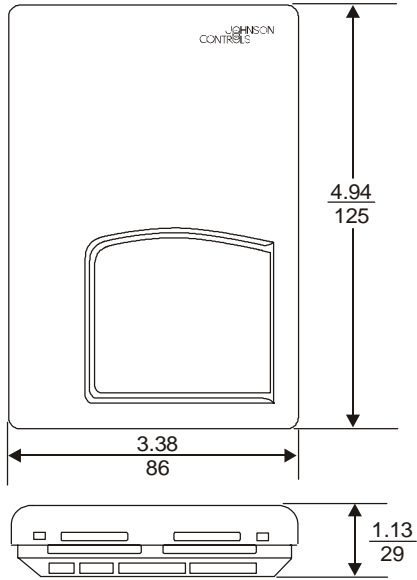


Figure 2: SEN-600-1 Dimensions (in./mm)

SEN-600-2 Outdoor Air Temperature Sensor includes:

- 3 in. (76 mm) 10 K ohm thermistor sensor
- outdoor air shield
- conduit enclosure with cover
- wire nuts (2)
- screws and anchors (2)

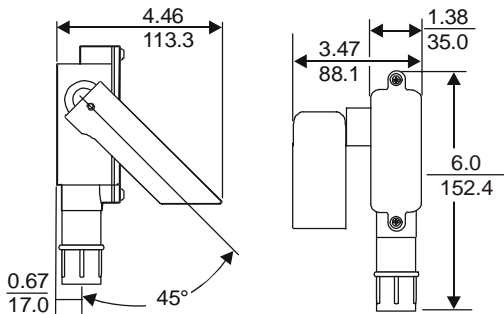


Figure 3: SEN-600-2 Dimensions (in./mm)

SEN-600-3 Duct Mount Temperature Sensor includes:

- 8 in. (203 mm) 10 K ohm thermistor sensor
- quick mount sensor holder and retainer
- metal mounting plate with screws (4) and locknut
- conduit enclosure with cover
- wire nuts (2)
- screws and anchors (2)

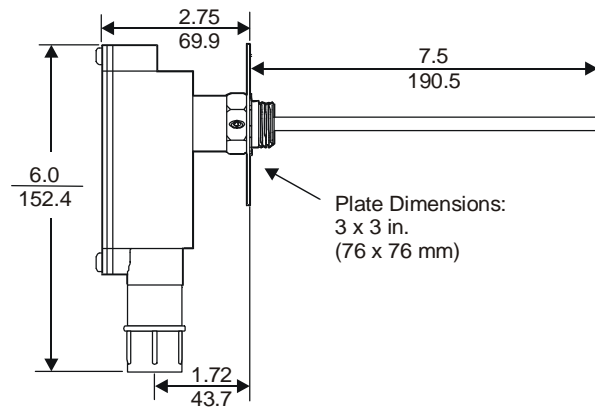


Figure 4: SEN-600-3 Dimensions (in./mm)

SEN-600-4 Remote Indoor Temperature Sensor with Occupancy Override and LED includes:

- sensor
- mounting hardware

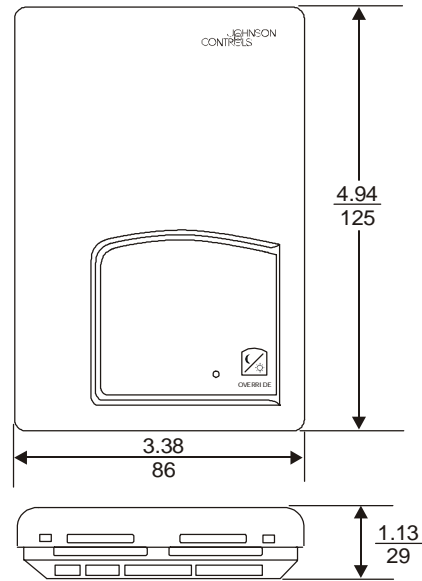


Figure 5: SEN-600-4 Dimensions (in./mm)

Technical Specifications

Product	SEN-600-1	Remote Indoor Temperature Sensor
	SEN-600-2	Outdoor Air Temperature Sensor
	SEN-600-3	Duct Mount Temperature Sensor
	SEN-600-4	Remote Indoor Temperature Sensor with Occupancy Override Button and LED
Power Requirements	Supplied by the T600 or TEC2100 Thermostat	
Reference Resistance	10 K ohm at 77°F (25°C)	
Sensor Accuracy	SEN-600-1 and SEN-600-4	±0.9 F° from 32 to 158°F; ±0.5 C° from 0 to 70°C
	SEN-600-2 and SEN-600-3	±4 F° from -4 to 86°F; ±2 C° from -20 to 30°C
Ambient Operating Conditions	SEN-600-1 and SEN-600-4	32 to 122°F (0 to 50°C)
	SEN-600-2 and SEN-600-3	-50 to 122°F (-46 to 50°C)
Dimensions (H x W x D)	SEN-600-1	4.94 x 3.38 x 1.13 in. (125 x 86 x 29 mm)
	SEN-600-2	6 x 3.47 x 4.46 in. (152.4 x 88 x 113 mm)
	SEN-600-3	6 x 1.38 x 10.25 in. (152.4 x 35 x 260.5 mm)
	SEN-600-4	4.94 x 3.38 x 1.13 in. (125 x 86 x 29 mm)
Shipping Weight	SEN-600-1	0.75 lb (0.34 kg)
	SEN-600-2	0.5 lb (0.23 kg)
	SEN-600-3	0.4 lb (0.18 kg)
	SEN-600-4	0.75 lb (0.34 kg)

The performance specifications are nominal and conform to acceptable industry standards. For application at conditions beyond these specifications, consult the local Johnson Controls office. Johnson Controls, Inc. shall not be liable for damages resulting from misapplication or misuse of its products.



Controls Group
507 E. Michigan Street
P.O. Box 423
Milwaukee, WI 53201

Published in U.S.A.
www.johnsoncontrols.com