

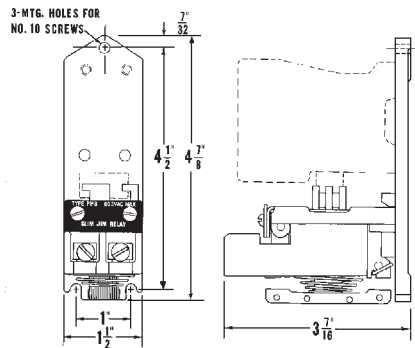


AC Relays - Slim Jim Type PMS - Bulletin 7305

Pole ‡ Arrangement	Contacts		Description	Rod Color	Open Type Cat. No.	Price
	N.O.	N.C.				
	1	0	1 Convertible Pole	White	5SW *	\$ 144.
	2	0	2 Convertible Poles	White	5SWW *	180.
	2	0	1 Duplex Pole	Green	5SG *	156.
	4	0	2 Duplex Poles	Green	5SGG *	204.
	1	1	1 Universal Pole	Red	5SR *	168.
	2	2	2 Universal Poles	Red	5SRR *	216.
	3	1	1 Universal Pole and 1 Duplex Pole	Red Green	5SRG *	228.

Relay Enclosure P6E-01 \$80.00

Approximate Dimensions In Inches



‡ Pole Symbols

- Represents one Convertible Pole, which includes one normally open contact.
- Represents one Duplex Pole, which includes two normally open contacts.
- Represents one Universal Pole, which includes two contacts, one normally open and one normally closed.
- Represents one space where a Convertible, Duplex or Universal Pole may be added.

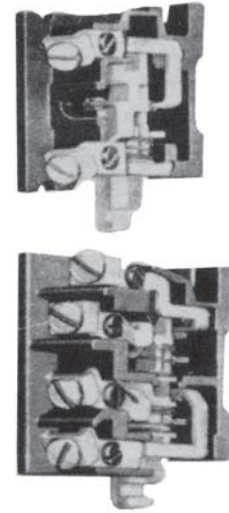


Ordering Information		Coil Table																	
<ul style="list-style-type: none"> ● Use complete catalog number. Replace the (*) with the suffix from Coil Table. ● Example: Cat. No. 5SRR-76 (110-120 Volt, 60 Hertz). 	<ul style="list-style-type: none"> ● Engineering Data ● Modification page K9 	<table border="1"> <thead> <tr> <th>60Hz Voltage</th> <th>Suffix</th> <th>60 Hz Voltage</th> <th>Suffix</th> </tr> </thead> <tbody> <tr> <td>24 Separate Control</td> <td>-96</td> <td>200-240</td> <td>-26</td> </tr> <tr> <td>120 Separate Control</td> <td>-76</td> <td>440-480</td> <td>-46</td> </tr> <tr> <td></td> <td></td> <td>550-600</td> <td>-56</td> </tr> </tbody> </table>	60Hz Voltage	Suffix	60 Hz Voltage	Suffix	24 Separate Control	-96	200-240	-26	120 Separate Control	-76	440-480	-46			550-600	-56	
60Hz Voltage	Suffix	60 Hz Voltage	Suffix																
24 Separate Control	-96	200-240	-26																
120 Separate Control	-76	440-480	-46																
		550-600	-56																



Pole Assemblies

Contacts		Rod	Pole	Kit	Price
N.O.	N.C.	Color	Description	Cat. No.	
1	0	White	Convertible Pole	KPM-1A	\$ 36.
0	1	White	Convertible Pole	KPM-2A	36.
1	1	Red	Universal Pole	KPMA-1	54.
2	0	Green	Duplex Pole	KPMF-1	54.
1	0	Black	Convertible Pole — Overlap Contacts	KPM-21A	60.
0	1	Black	Convertible Pole — Overlap Contacts	KPM-22A	60.
1	0	White	Convertible Pole — Anti-Weld Contacts	KPM-31A	48.
0	1	White	Convertible Pole — Anti-Weld Contacts	KPM-32A	48.
1	1	Orange	Overlap Contact	KPMA-21	108.
1	1	Red	Universal Pole — Anti-Weld Contacts	KPMA-2	78.
2	0	Green	Duplex Pole — Anti-Weld Contacts	KPMF-2	78.
1	1	Orange	Universal Pole — Overlap. Anti- Weld Contacts	KPMA-22	132.



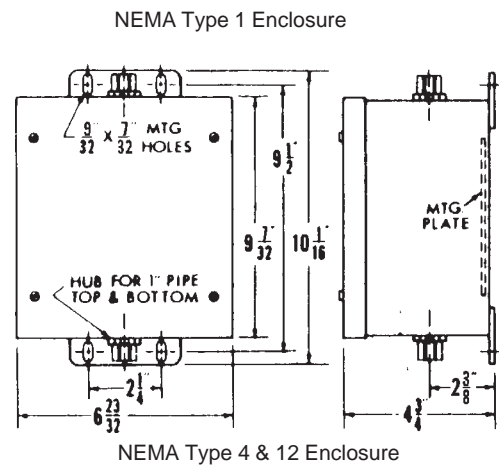
Relay Bases Only

Coil		Base	1	Price
Voltage	Hertz	Catalog Number		
24	60	5S-96	\$120.	
110-120	60	5S-76		
110	50	5S-75		
220-240	60	5S-26		
220	50	5S-25		
380	50	5S-46		
440-480	60	5S-46		
550-600	60	5S-56		

¹ Price listed for relay base includes magnet coil and mounting plate, less poles.

Enclose P6E-01 \$80.00

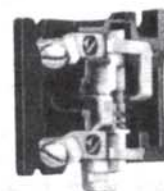
Approximate Dimensions In Inches



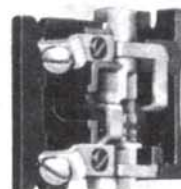
Ordering Information	Coil Data	Coil Table	
● Use complete catalog number.	Inrush volt-amperes (at 60 hertz) <u>61</u> Holding volt-amperes (at 60 hertz) <u>16</u>	60Hz Voltage	Suffix
		24 Separate Control	-96
		120 Separate Control	-76
		60 Hz Voltage	Suffix
		200-240	-26
		440-480	-46
		550-600	-56

Modification Kits for Type PM Family - Discount Schedule JC55

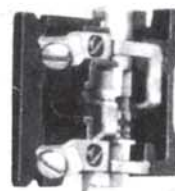
Description	Catalog Number	Price
Kits for BUL. 7305 Type PM Convertible Pole Relays		
Pole Kits (All are convertible)		
N.O. Non-Overlap Contacts, Closed Top	KPM-1A	\$ 36.
N.C. Non-Overlap Contacts, Closed Top	KPM-2A	36.
N.O. Non-Overlap Contacts, Open Top	KPM-3A	36.
N.C. Non-Overlap Contacts, Open Top	KPM-4A	36.
N.O. Non-Overlap Contacts, Open Top, Double Ended Carrier	KPM-5A	36.
N.C. Non-Overlap Contacts, Open Top, Double Ended Carrier	KPM-6A	36.
N.O. Overlapping Contacts, Closed Top	KPM-21A	60.
N.C. Overlapping Contacts, Closed Top	KPM-22A	60.
N.O. Overlapping Contacts, Open Top	KPM-23A	60.
N.C. Overlapping Contacts, Open Top	KPM-24A	60.
N.O. Overlapping Contacts, Open Top, Double Ended Carrier	KPM-25A	60.
N.C. Overlapping Contacts, Open Top, Double Ended Carrier	KPM-26A	60.
N.O. Non-Overlap Anti-Weld Contacts, Closed Top	KPM-31A	48.
N.C. Non-Overlap Anti-Weld Contacts, Closed Top	KPM-32A	48.
N.O. Non-Overlap Anti-Weld Contacts, Open Top	KPM-33A	48.
N.C. Non-Overlap Anti-Weld Contacts, Open Top	KPM-34A	48.
N.O. Non-Overlap Anti-Weld Contacts, Open Top, Double Ended Carrier	KPM-35	48.
N.C. Non-Overlap Anti-Weld Contacts, Open Top, Double Ended Carrier	KPM-36	48.
N.O. Non-Overlap Gold Bonded Contacts, Closed Top	KPM-41	90.
N.C. Non-Overlap Gold Bonded Contacts, Closed Top	KPM-42	90.
N.O. Non-Overlap Gold Bonded Contacts, Open Top	KPM-43	90.
N.C. Non-Overlap Gold Bonded Contacts, Open Top	KPM-44	90.
N.O. Non-Overlap Gold Bonded Contacts, Double Ended Carrier	KPM-45	90.
N.C. Non-Overlap Gold Bonded Contacts, Double Ended Carrier	KPM-46	90.
Adapter Plate (to add 13th or 14th pole)	KPM-15	18.
Kits for BUL. 7305 Type PMA Universal Pole Relays		
Pole Kit - N.O. & N.C. Non-Overlap Contacts, Closed Top	KPMA-1	54.
N.O. & N.C. Non-Overlap Anti-Weld Contacts, Closed Top	KPMA-2	78.
N.O. & N.C. Overlapping Contacts, Closed Top	KPMA-21	108.
N.O. & N.C. Overlapping Anti-Weld Contacts, Closed Top	KPMA-22	132.
Kits for BUL. 7305 Type PMF Duplex-Pole Relays		
Pole Kits - 2 N.O. Non-Overlap Contacts, Closed Top	KPMF-1	54.
2 N.O. Non-Overlap Anti-Weld Contacts, Closed Top	KPMF-2	78.
Kit for BUL. 7305 Type PML or PMAL Latch Relays		
Latch Kit, with coil - Specify trip coil voltage suffix: - 76 (110-120v 60hz). - 26 (220-240v 60hz), - 46 (440-480v 60hz). Specify other voltages	KPMH-12	168.
Kits for BUL. 7313 Type PMT Timing Relays		
Contact Operating Link for R.H. Timed Pole	KPMT-1	18.
Contact Operating Link for Instantaneous Pole	KPMT-2	18.
Contact Mounting Bracket and Arm Assembly (R.H.)	KPMT-3	36.
Contact Mounting Bracket and Arm Assembly (L.H.)	KPMT-4	36.



Kit KPM-2A



Kit KPM-4A



Kit KPM-6A



Kit KPMA-1



Kit KPMH-12



Kit KPMT-12

K

Renewal Parts Kits -

Discount Schedule JC80

Renewal Parts Kits for BUL. 7305 Type PM Convertible Pole Relays	Cat. No.	Price
Contact Arm, Short (4 Pole) with screws	KPM-7	23.
Contact Arm, Long (6 Pole) with screws	KPM-8	32.
Assembled Magnet and Rod (Straight-End Bracket) A-c Relays	KPM-9	152.
Assembled Magnet and Rod (Hooked-End Bracket) A-c Relays	KPM-10	152.
Assembled Magnet and Core. 2,3 & 4 Pole D-c Relays (Includes Rod, Bracket & Contact Arm)	KPM-16	173.
Assembled Magnet and Core, 6 & 8 Pole D-c Relays (Includes Rod, Bracket & Contact Arm)	KPM-17	179.
Renewal Parts for BUL. 7313 Type PMT Timing Relays		
Assembled Magnet and Rod (Folio 2 Relays)	KPMT-10	301.
Timing Head (without dial) (Folio 2 Relays)	KPMT-12	524.

4
2
0