

Cam-Lok® F Series



All Cam-Lok part numbers available in convenient, single-use, color-coded packaging.

FEMALE TERMINAL CONNECTORS			
CABLE SIZE	COLOR	ANGLE STYLE PART NO.	OFFSET STYLE PART NO.
#2-3/0	Red	A201317-1	A201317-5
#2-3/0	Black	A201317-2	A201317-6
4/0	Red	A201317-3	N/A
4/0	Black	A201317-4	N/A

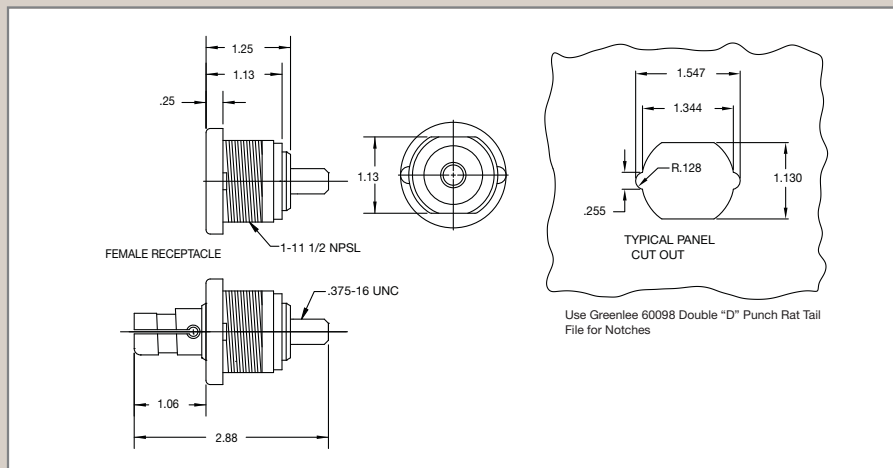
Bolt Hole 1/2"

THREE WAY "T" CONNECTORS			
CABLE SIZE	COLOR	PARALLELING "T" PART NO. M-M-F	TAPPING "T" PART NO. M-F-F
#2-4/0	Red	E1012-2324	E1012-2314
#2-4/0	Black	E1012-2326	E1012-2312

HIGH-IMPACT RECEPTACLES				
CABLE SIZE	COLOR	PART NO.	DESCRIPTION	CONTACT MATERIAL
#2-3/0	Red	E1012-301	Female Receptacle	Brass
#2-3/0	Black	E1012-302	Female Receptacle	Brass
#2-4/0	Red	E1012-303	Female Receptacle	Brass
#2-4/0	Black	E1012-304	Female Receptacle	Brass
#2-4/0	Red	E1012-305	Female Receptacle	Copper
#2-4/0	Black	E1012-306	Female Receptacle	Copper
#2-4/0	Red	E1012-307	Male Receptacle	Brass
#2-4/0	Black	E1012-308	Male Receptacle	Brass

Maximum Torque 20 ft.-lbs.

ADAPTERS		
COLOR	PART NO.	DESCRIPTION
Black	E1012-MPC-1	Male Tweco® MPC to Female CAM-LOK E1012-Series
Red	E1012-MPC-2	Male Tweco® MPC to Female CAM-LOK E1012-Series
Black	E1012-MBP-1	Female Tweco® MBP to Male CAM-LOK E1012-Series
Red	E1012-MBP-2	Female Tweco® MBP to Male CAM-LOK E1012-Series



A201317-6 Female Terminal Connector



E1012-2324 Male-Male-Female

E1012 Series

F-SERIES CONNECTORS AND RECEPTACLES PROVIDE LONGER LIFE UNDER THE RIGORS OF HEAT TREATING AND STRESS RELIEVING APPLICATIONS. THEY ARE IDEAL FOR USE ON WELDING POWER SUPPLIES, DISTRIBUTION PANELS, AND PATCH PANELS, AS WELL AS HEAT TREATING AND STRESS RELIEVING APPLICATIONS.

RATINGS: 120 VOLTS

UP TO 315 AMPERES CONTINUOUS, 550 AMPERES INTERMITTENT

STANDARD MATERIALS
CABLE SIZE: #2 - #2/0
CONNECTOR SLEEVE/ACCESSORY: TPE/ REINFORCED THERMOPLASTIC
CONTACT: BRASS OR AS NOTED