

Single Pole Connectors

Project Name:	Prepared By:
Project Number:	Date:
Catalog Number:	Type:

Cam-Lok™ J Series E1017 Protective Caps

NEMA 3R

J-Series E1017 Rubber

FEATURES

- Resilient rubber body provides superior protection against elements.
- Molded from colorfast material color-coded for easy phase identification.
- Attaches directly to new or existing plugs and receptacles.
- Provides NEMA 3R protection.
- Complete color offering.
- Lanyard provided to prevent loss.

PROTECTIVE CAPS (Not UL Listed)		
COLOR	MALE CAP PART NO.	FEMALE CAP PART NO.
BLACK	A100603-2	A100604-2
RED	A100603-6	A100604-6
GREEN	A100603-10	A100604-10
WHITE	A100603-12	A100604-12
BLUE	A100603-16	A100604-16
BROWN	A100603-14	A100604-14
ORANGE	A100603-8	A100604-8
YELLOW	A100603-4	A100604-4

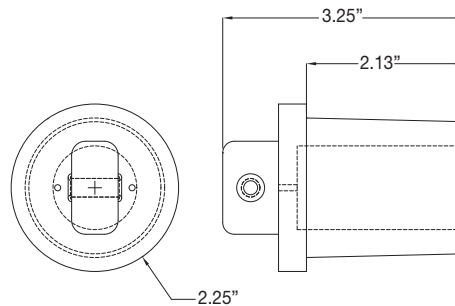
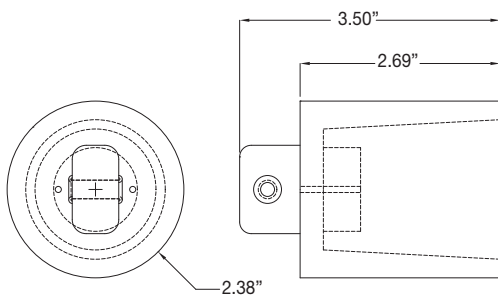
To order single packaged products add a "K" suffix to the complete part number



A100603-2



A100604-2



TESTING & CODE COMPLIANCE

- Listed to UL498, file no. E67181
- CSA Certified to C22.2, no. 182.3-M1987, file no. LR13963

MATERIAL CHARACTERISTICS

- Body: Rubber
- Environmental: NEMA 3R
- Temperature Rating: -40° C to 105° C