



OUTLET BODIES



GRSA



GRR



GRCEX-0
(For GRR & GRSS only)

Class I, Div. 1 & 2, Groups C, D
Class II, Div. 1 & 2, Groups E, F, G
Class III

UL LISTED - File E10514

SP Certified - File LR11716
See files for details or call Killark.

FEATURES-SPECIFICATIONS

GRSA

Features

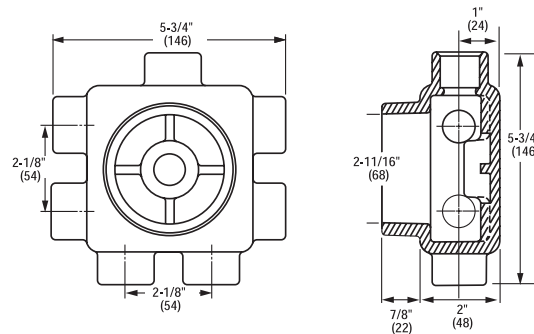
- Cast conduit hubs with integral bushings
- Cover included
- Replacement cover catalog number GECBC
- Five close-up plugs included
- Sealing, hub, dome covers and gaskets available (page F58)

Material/Finish

- Copper-free aluminum (less than 4/10 of 1%)
- Electrostatically applied powder coating

GRSA W/BLANK COVER		
CATALOG NUMBER	HUBS	VOLUME CU. IN.
GRSA	Furnished with eight 3/4" hubs including one 3/4" flush hub in back center	26.5

Dimensions



GRR

Features

- Cast conduit hubs with integral bushings
- Blank cover included
- Replacement cover catalog number GRRBC
- Compact size
- Supplied with five hubs and three close-up plugs

Material/Finish

- Copper-free aluminum (less than 4/10 of 1%)
- Electrostatically applied powder coating

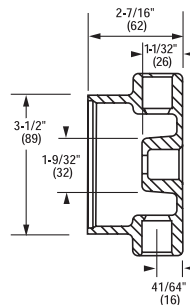
GRR W/ BLANK COVER		
CATALOG NUMBER	HUB SIZE	VOLUME CU. IN.
GRR-1	1/2"	13.0
GRR-2	3/4"	13.0
GRR-3	1"	14.0

Blank Cover-only-GRRBC

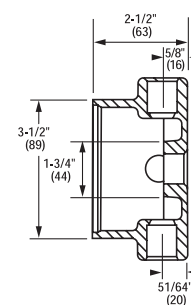
GASKET (RUBBER)
CATALOG NUMBER
GEC-RG

EXTENSION*
CATALOG NUMBER
GRCEX-0

* Adds 2-7/8" to body depth and 16.48 cu. in.



GRR 1 & 2



GRR-3



FITTINGS

OUTLET BODIES



Class I, Div. 1 & 2, Groups C, D
Class II, Div. 1 & 2, Groups E, F, G
Class III

UL LISTED - File E10514

SP Certified - File LR11716

See files for details or call Killark.

FEATURES-SPECIFICATIONS

GRSS/GRSSA

Features

- Internal hubs
- Blank cover included (Cat. No. GRRBC)
- Compact design and multiple hub configurations
- Furnished with internal ground screw
- Cast-in brackets on cover for use with breaker-bar tools

GRSS TYPE

Furnished with seven internal hubs, two hubs are on the top and bottom, one each on the two sides and one hub in the back. Four close-up plugs supplied. Series GUM unions can be used.

Note: for mounting lugs on GRSS series, contact factory.

- Mounting lug slot 7/16"

GRSSA TYPE

Furnished with 13 hubs, two on each side and five in back. Five close-up plugs are supplied.

Material/Finish – Aluminum Body

- Copper-free aluminum (less than 4/10 of 1%)
- Electrostatically applied powder coating

Material/Finish – Duraloy Iron Body

- Duraloy iron alloy
- Tri-Coat finish of Electro zinc, Chromate Sealant and electrostatically applied powder coating

Material/Finish – GR Series Cover

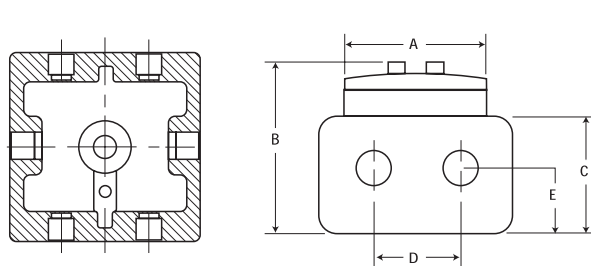
- Copper-free aluminum (less than 4/10 of 1%)
- Electrostatically applied powder coating

GRSS				
CATALOG NUMBER	HUB SIZE	NUMBER OF OPENINGS	NUMBER OF CLOSE-UP PLUGS FURNISHED	
KILLARK ALUM.	DURALOY IRON			
GRSS-1	GRSS-1M	1/2"	7	4
GRSS-2	GRSS-2M	3/4"	7	4
GRSS-3	GRSS-3M	1"	7	4
GRSS WITH LUGS				
GRSS-1L	-	1/2"	7	4
GRSS-2L	-	3/4"	7	4
GRSS-3L	-	1"	7	4
GRSSA				
GRSSA-1	-	1/2"	13	5
GRSSA-2	-	3/4"	13	5

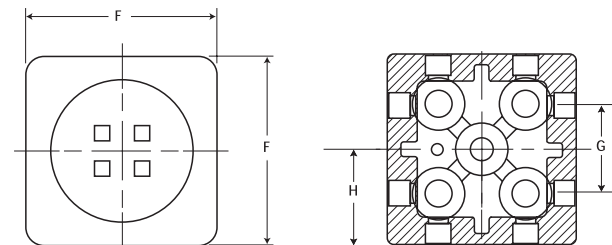
GASKET (RUBBER)	
CATALOG NUMBER	
GEC-RG	

EXTENSION*	
CATALOG NUMBER	
GRCEX-0	

* Adds 2-7/8" to bod depth and 16.48 cu. in.



GRSS Dimensions



GRSSA Dimensions

GRSS/GRSSA DIMENSIONS														
CATALOG NUMBER	HUB SIZE	NO. OF OPENINGS	CLOSE-UP PLUGS FURNISHED	DIMENSIONS IN INCHES								COVER OPENINGS	VOLUME CU. IN.	
				A	B	C	D	E	F	G	H			
GRSS-1	1/2"	7	4	3-1/2"	3-1/2"	2-3/8"	2-1/8"	1-3/16"	4-5/8"	N/A	1-1/4"	3-1/8"	29	
GRSS-2	3/4"	7	4	3-1/2"	3-1/2"	2-3/8"	2-1/8"	1-3/16"	4-5/8"	N/A	1-1/4"	3-1/8"	29	
GRSS-3	1"	7	4	3-1/2"	3-1/2"	2-3/8"	2-1/8"	1-3/16"	4-5/8"	N/A	1-1/4"	3-1/8"	29	
GRSSA-1	1/2"	13	5	3-1/2"	3-1/2"	2-3/8"	2-1/8"	1-3/16"	4-5/8"	2-1/8"	1-1/4"	3-1/8"	20	
GRSSA-2	3/4"	13	5	3-1/2"	3-1/2"	2-3/8"	2-1/8"	1-3/16"	4-5/8"	2-1/8"	1-1/4"	3-1/8"	20	