



KILLARK®

Another Hubbell Electrical Products Brand

CERTILITE® V *The Logical Choice*



Luminaires for
Harsh and Hazardous
Locations

CERTILITE[®]V

The Logical Choice



VM1*
5 1/2" Optic
Compact Profile
Medium Base



VM2*
7 3/4" Optic
Compact Profile
Medium Base



VM3
5 1/2" Optic
Low Wattage
Mogul Base



VM4
7 3/4" Optic
Low Wattage
Mogul Base



VM5
7 3/4" Optic
High Wattage
Mogul Base

Class I, Div. 2, Groups A,B,C,D^①
Class I, Zone 2, Groups IIC, IIB, IIA
Class II, Div. 1 & 2, Groups E,F,G
Class III
Suitable for wet locations
NEMA 3, 4, 4X; IP66
NR Restricted Breathing Option^②
Class I, Zone 2 AEx nAR

Listed - Files E10514 (Hazardous & Marine)

FEATURES-SPECIFICATIONS

KILLARK[®] CertiLite[®]V Series sets a new standard for industrial grade HID luminaires. Designed for installations where moisture, dirt, dust, corrosion and vibration may be present, these fixtures are suitable for NEMA 3 and 4X areas and where wind, water, snow or high ambients can be expected. They also can be used in locations made hazardous by the presence of flammable vapors and gases or combustible dusts, as defined by the NEC[®]. Typical applications include manufacturing sites, chemical and petrochemical processing facilities, sewage treatment plants, off-shore and dockside installations, garages and warehouses.

Standard Materials:

- Ballast tank and splice box – corrosion resistant copper-free aluminum alloy with baked powder epoxy/polyester finish, electrostatically applied for complete, uniform corrosion protection.
- All external hardware – 316 stainless steel.
- Guards – Painted copper-free aluminum alloy or 316SS for 7-3/4" glass optics and Enclosed Reflectors.
- Spin-top Refractor Guards are Plated Steel.
- Reflectors – lightweight, corrosion resistant polyester reinforced fiberglass, or copper-free aluminum.

Additional Features:

- Seven mounting splice box types; Pendant, Flex Pendant, Ceiling, Wall bracket, Cone Top, 25° Angle Stanchion, Straight Stanchion – in a variety of entry sizes, including M20 for the VMX ceiling style.
- Quartz auxiliary, HPS instant restart, Ballast Protectors
- Minimum starting temperature: HPS – 40°C; MV, MH & MHP – 30°C
- Normally shipped as components for fast delivery, or may be ordered factory assembled with or without lamps.
- Options for fuses and Quick Disconnect

Compliances

- UL1598 Standard for luminaires
- UL1598A Marine type luminaire
- UL-844 Standard for lighting fixtures for hazardous locations
- CSA C22.2 no. 137-M1981 electric luminaires for use in hazardous locations
- Enclosed and gasketed
- NEMA 3, 4X IP66
- UL 60079-15 - Electrical apparatus for Explosive Gas Atmospheres with Type of Protection "n" (Restricted Breathing and non-sparking).

NEW FEATURES		BENEFITS
	Swing-Barrel Nut Tank Mounting System	<ul style="list-style-type: none"> • Stainless-to-Stainless securement • Takes load off during installation • Uses ordinary tools • Saves time and labor
	New ballast tank sizes	Cover a wider range of wattage sizes and socket types (will include five total) for maximum user selection flexibility
	Sealed Optic Zone 2 AEx nAR Restricted Breathing (suffix NR)	NO External Seals. Lower T-codes, Suitable for Class I Div. 2 Classified areas per the NEC [®]
	All glass refractors	Compact (5-1/2" thread size, types I & V) Standard (7-3/4", thread size, types I, III, V) Enhances user selection flexibility
	New "EZ" mount adapter	Easier Maintenance, saves labor, move fixture from the ladder to the workbench
	Photo controls - Class I Div. 2 / N4X areas	Available as Field or Factory Installed to save energy when light not required
	Earthquake Tab - Built-in attachment point for safety cables	Safety: Secures fixture to structure in case of conduit failure. "3rd hand" accessories for lamp change out
	"FULL CUTOFF" & CUTOFF Optics	For "Dark Sky" Requirements. Helps to minimize offending light pollution
	VMEP40 "Food Optic"	Expanded Offering for Food or Grain Handling Applications to minimize contamination
	NEMA Decals	Easier Maintenance, Saves labor "Have the right lamp in hand before going up the ladder".
	Expanded lamp types and wattages	Philips [®] QL Induction type and 600Watt HPS available for long life or high lumen requirements
	CertiLite Software	Used to determine number of fixtures required and their proper layout for various tasks and applications.

Philips[®] is a registered trademark of Koninklijke Philips Electronics N.V.

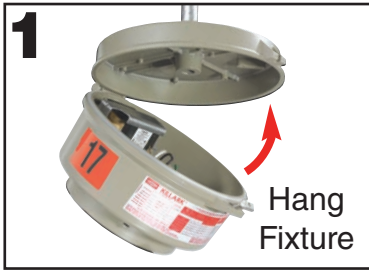
① ② See Thermal Performance Tables in Killark Catalog.

* Available 4Q05



KILLARK[®]

SWING-BARREL NUT



- The CertiLite®V Swing-Barrel Nut System provides a Stainless-to-Stainless securement between tank and mounting box. No more Stainless-to-Aluminum connections or need for Stainless inserts.
- Users can easily lift the tank into place and “take the load off”, then tighten. Saves time and labor.

- Only the patent pending Swing-Barrel Nut Stainless System can be tightened with a common screwdriver or nut driver; others are either stainless-to-aluminum, or require a wrench or special deep socket.

NOTE: CertiLite®V series tanks are backwardly compatible with older CertiLite® mounts. Simply remove Barrel Nut and thread into old mount.

EZ MOUNT & LAMP IDENTIFICATION

To enable easy and safe removal of CertiLite®V fixtures for future maintenance, install with the new VMEZA ballast tank to EZ mount adapter.

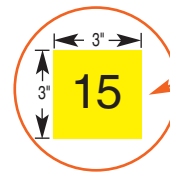
The complete assembly is removed for maintenance at the workbench.

Large facilities often keep spares so that a “new” fixture is put in at the time one needs maintenance – thus eliminating the need to set up access equipment multiple times.



HAVE THE RIGHT LAMP IN HAND BEFORE GOING UP THE LADDER.

* “P” designates newer Pulse Start Metal Halide lamps: 150, 175, 200, 250, 320, 350 and 400 watt models.



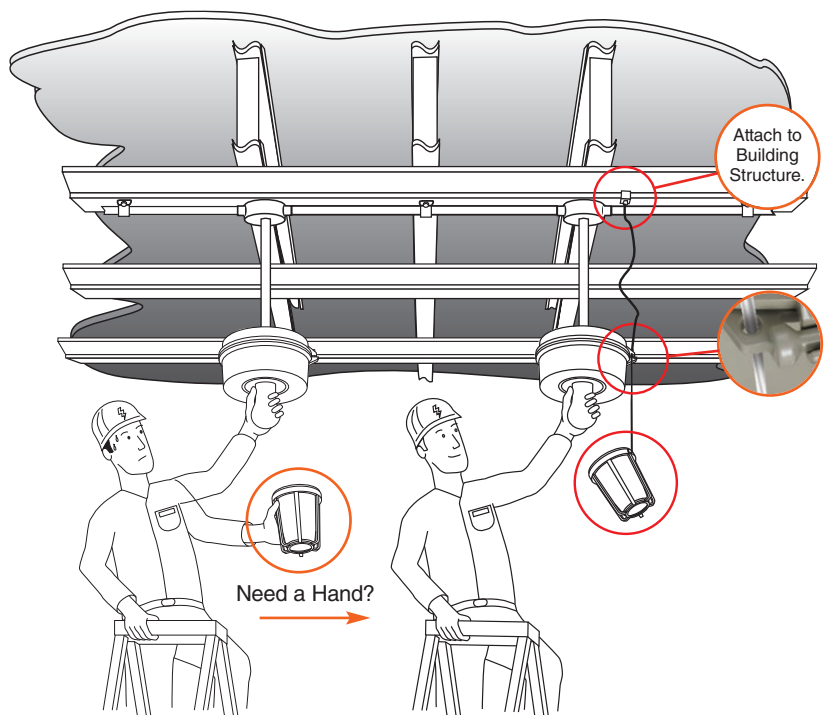
NEMA Decals for Lamp Type & Wattage

“3rd HAND” & EARTHQUAKE SUSPENSIONS

Maintenance personnel are often in awkward positions when relamping: trying to simultaneously hold on to a ladder, a globe and the lamp. Available “3rd Hand” suspension cables support 5-1/2" VMG17/VMR17x optics, utilizing the VMAG17 guard. 7-3/4" VMG25/VMR25x optics utilize a band (w/cable) which attach to special nubs on the optic. Cables attach to a special “Earthquake Tab” built into the ballast tank housing. See Suspension Accessories in Killark Catalog.



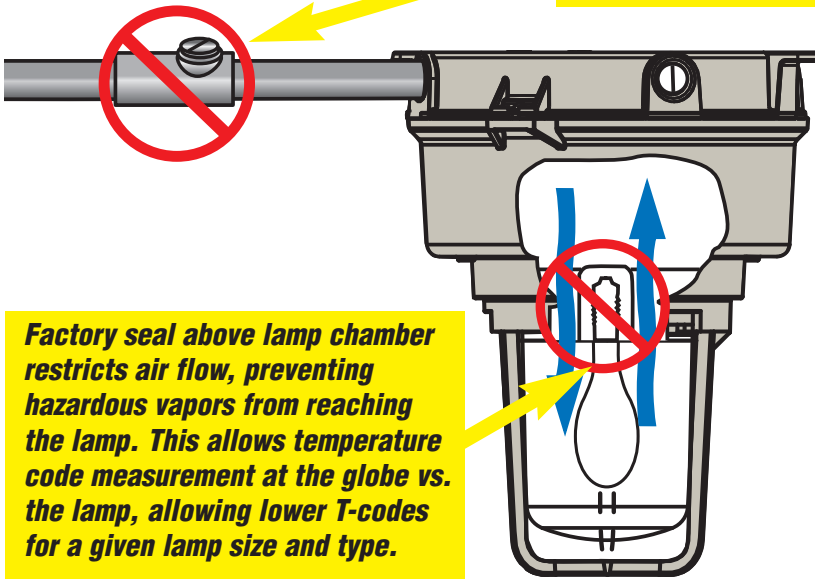
CertiLite®V tanks as standard have a built-in “Earthquake Tab.” The tab is used to hold optic suspension devices, and can simultaneously be used to add a safety cable linked to the building superstructure.





NEW “Sealed Optic” construction, option “NR.” Rated for Class I, Zone 2 AEx nAR II Restricted Breathing. “Sealed Entry” is no longer required to obtain **significantly lower T-codes**.

No labor intensive conduit seals or sealed cable glands required for installation



Factory seal above lamp chamber restricts air flow, preventing hazardous vapors from reaching the lamp. This allows temperature code measurement at the globe vs. the lamp, allowing lower T-codes for a given lamp size and type.

- CertiLite®V luminaires with the NR option are factory sealed to save installation time and labor costs.
- AEx nAR II (also AEx nA nAR II) is covered under NEC® Article 505, and indicates Non-Arcing and Non-Breathing.
- North American Class I Division 2 designated locations may use properly marked Zone 2 rated equipment per NEC Article 501.5.
- The CertiLite®V NR option is available for VMG, VMR, and VMER40 optics, but not VZRG “Spin-top” Refractors.
- Permits the use of fewer higher wattage luminaires for a given application.

CLASS I, DIV. 2*	CLASS I, DIV. 1*		CLASS I, DIV. 2*		CLASS I, DIV. 1*	
	40	55	40	55	40	55
GLASS REFLECTOR	T2B	350°	EFC	T2B	EFC	
8" REFRACTOR	T2B	350°	EFC	T2B	EFC	
12" REFRACTOR	T2B	350°	EFC	T2B	EFC	
ENCLOSURE REFLECTOR ALL STATION MOUNTED	T2B	350°	EFC	T2B	EFC	

See the Benefit!

Lamp Type and Wattage	Examples at 40°C ambient See Thermal Performance Charts Beginning LXXX for more information	Class I Div. 2/ Zone 2 Based on Lamp Temperature Data	Class I Zone 2 AEX nAR II Based on Globe Temperature Data	Reduction in Applied T-Code
150 HPS	VM3 w/VMG or VMR	T2B	T4	-125°C
	VM4 w/VMG or VMR	T2B	T4	-125°C
400 HPS	VM5 w/VMG	350°	T3	-150°C
	VM5 w/VMER40	350°	T3	-150°C
175 MH	VM3 w/VMG or VMR	T2A	T3	-80°C
	VM4 w/VMG or VMR	T2B	T4	-125°C
400 MH	VM5 w/VMG40	325°	T3	-125°C
	VM5 w/VMER40	T2A	T3	-80°C

FOOD & GRAIN SAFETY



Grain Area



Food Area



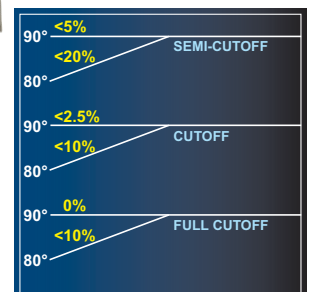
VEMP40 Optic
(Prototype Shown)

Certification (Pending)
Class I Div. 2; Class II Div. 1;
N4X; NSF

- CertiLite®VM4 or VM5 series luminaires with the new VMEP40 Optic have a strong non-glass polycarbonate shield protecting food from potential broken glass contamination, as could be the case even with heat-resistant heavy duty globes.
- Unique design incorporates internal glass lens to seal out dust and vapors from the lamp, with a polycarbonate shield banded tightly at the bottom.
- Copper-free aluminum reflector is painted white for easy cleaning; threaded portion at top is natural aluminum to prevent paint dust contamination during maintenance (from attaching/detaching).
- Polycarbonate shield is replaceable and must always be used to maintain ratings.

DARK SKY APPLICATIONS

- The CertiLite®VMER40 Enclosed Reflector meets the “Full Cutoff” photometric requirement in many areas, such as observatories, to minimize offending light pollution. Fits VM4 and VM5 Series tanks.
- “Dark Sky” Kits are available to enable the deep HRD-400 Series Reflectors meet this requirement over globes on the VM4, “Full Cutoff” or “Cutoff” on VM5 Series tanks. See Killark Catalog for more information.



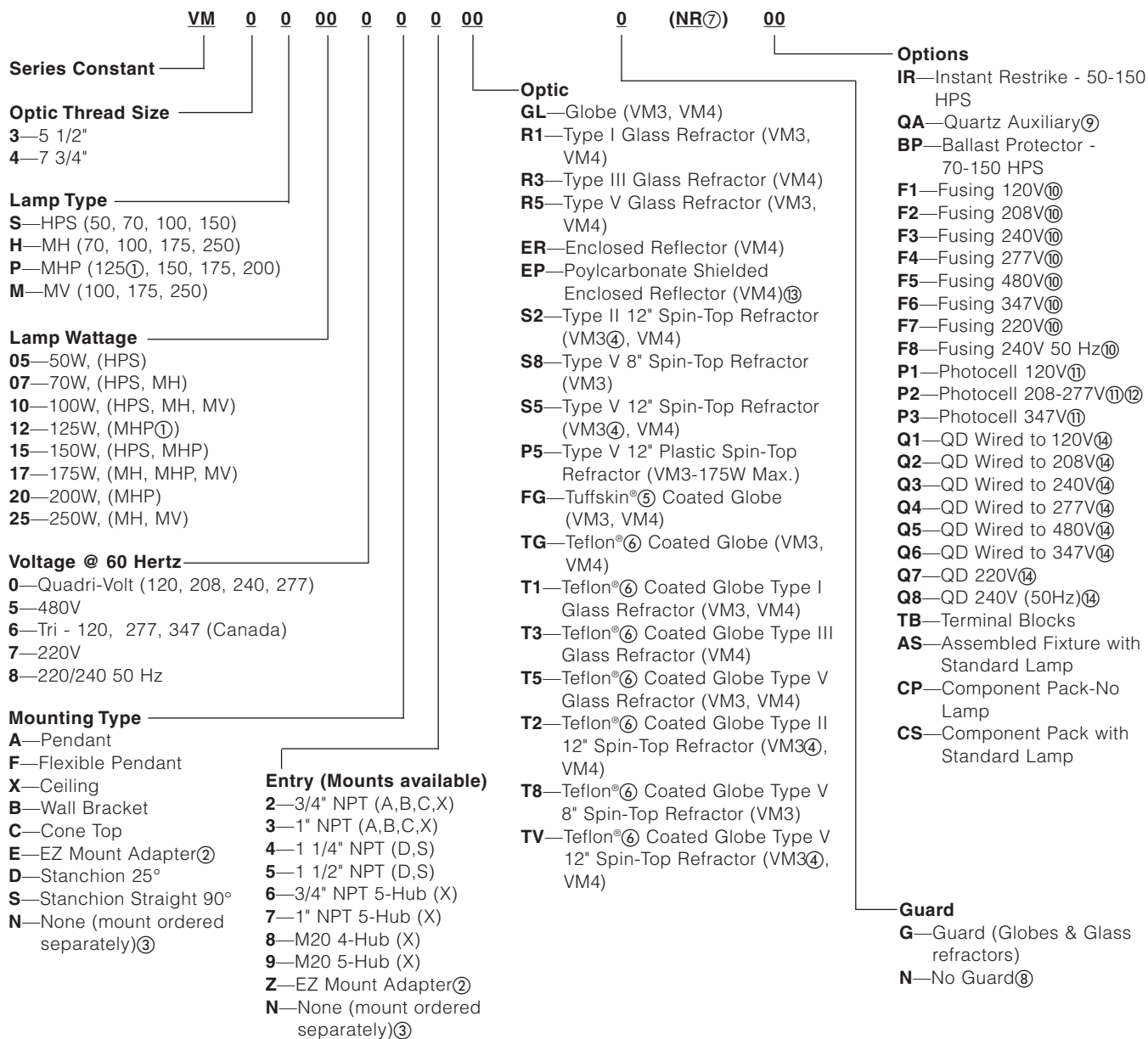
COMPETITIVE COMPARISONS



CertiLite® KILLARK	vs.	COMPETITION
	<p>Swing-barrel nut Stainless-to-Stainless securement between tank and mounting box. Can be tightened with a common screwdriver or nut driver.</p>	 <p>Either not stainless, or require a wrench or special deep socket.</p>
	<p>Earthquake tab Built in securement location for safety cables, optic "3rd Hand" or to building structure.</p>	<p style="text-align: center;">Not Available</p>
	<p>Maintenance Safety Optic suspension systems</p>	<p style="text-align: center;">Not Available</p>
	<p>Suspension safety cable to building superstructure</p>	<p style="text-align: center;">Not Available</p>
	<p>"Sealed Optic" Instead of more costly "Sealed Entry" Meets AEx nAR Requirements</p>	<p>"Sealed Entry" requires extra parts (conduit seals) and labor to install, and block pulling of replacement wiring.</p>
	<p>VMEP40 Food Area Suitable Optic</p>	<p style="text-align: center;">Only Glass Optics Offered</p>
	<p>Dark Sky Optics Available</p>	<p>Limited, if any, solutions for light pollution, a problem in many areas.</p>
	<p>316 Stainless Guards For 7 3/4" All Glass Optics. Optional Bottom Closure.</p> 	<p>"Ordinary" stainless & open bottom type only. Provides less protection from bottom impact or corrosion.</p>

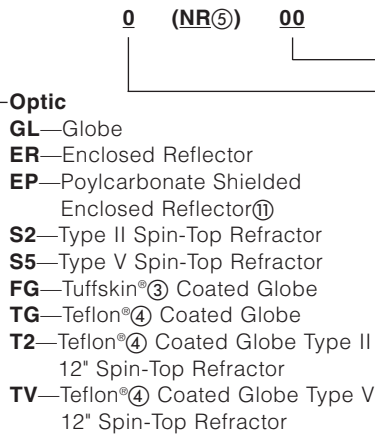
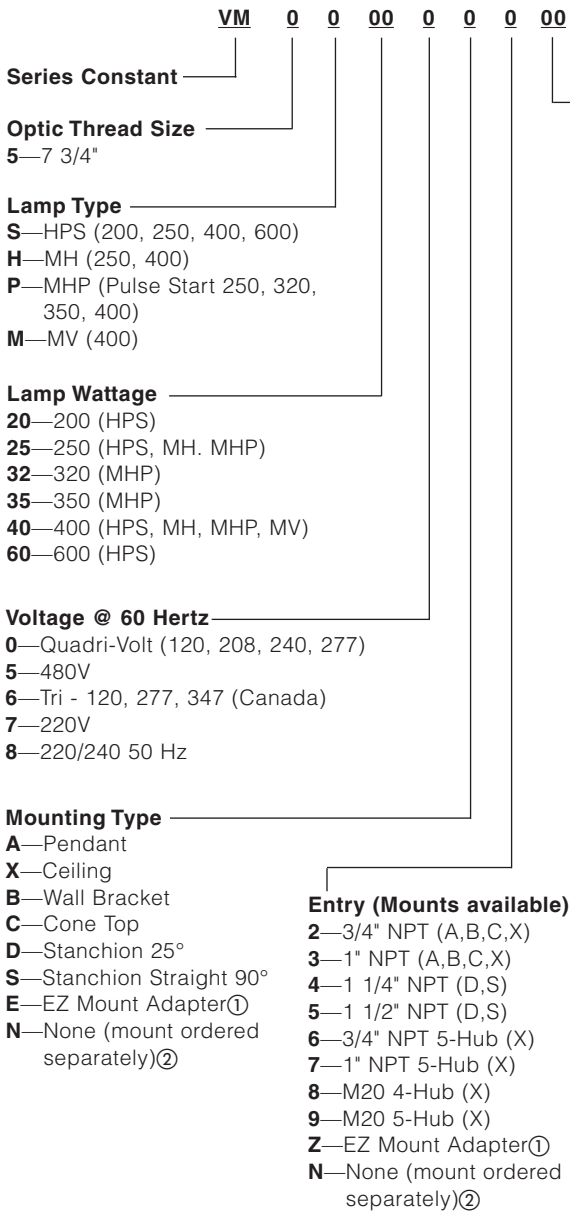


KILLARK®



① Special order lamp type/wattage not shown in grids, minimums apply.
 ② Completes as "EZ", conduit mounting boxes ordered separately.
 ③ NN mount ordered separately.
 ④ 12" Spintops for use with VM3 tanks ship with a Mogul to Mogul socket extender for enhanced photometrics vs. 7 3/4", which are used on VM5, but will fit VM4.
 ⑤ Tuffskin[®] is a registered trademark of Thomas Mfg. Corp.
 ⑥ Teflon[®] is a registered trademark of DuPont, Inc.

⑦ AEx nAR Restricted Breathing - See page 3 for more information.
 ⑧ Order Guards for Spin-Tops & VMER40 separately.
 ⑨ QA not suitable for Class I, Div. 2/Zone 2 applications; consult factory for other hazardous applications.
 ⑩ Fusing not for Marine or Canadian installations.
 ⑪ Photo cells for Class I, Div. 2 only.
 ⑫ Field connection to proper tap in case of Multitap Ballasts.
 ⑬ Not for use with wall or straight (90°) Stanchion.
 ⑭ QD = Quick Disconnect. Allows easy tank removal for maintenance. Electrician simply unplugs de-energized ballast from supply circuit.



Options

- QA—Quartz Auxiliary^⑦
- BP—Ballast Protector 250-400W HPS only
- F1—Fusing 120V^⑧
- F2—Fusing 208V^⑧
- F3—Fusing 240V^⑧
- F4—Fusing 277V^⑧
- F5—Fusing 480V^⑧
- F6—Fusing 347V^⑧
- F7—Fusing 220V^⑧
- F8—Fusing 240V 50 Hz^⑧
- P1—Photocell 120V^⑨
- P2—Photocell 208-277V^{⑨⑩}
- P3—Photocell 347V^⑨
- Q1—QD Wired to 120V^⑫
- Q2—QD Wired to 208V^⑫
- Q3—QD Wired to 240V^⑫
- Q4—QD Wired to 277V^⑫
- Q5—QD Wired to 480V^⑫
- Q6—QD Wired to 347V^⑫
- Q7—QD 220V^⑫
- Q8—QD 240V (50Hz)^⑫
- TB—Terminal Blocks
- AS—Assembled Fixture with Standard Lamp
- AD—Assembled Fixture with Dual-Arc-Tube Lamp 250, 400 HPS only
- CS—Component Pack with Standard Lamp
- CP—Component Pack-No Lamp

Guard

- G—Globe Guard
- N—No Guard^⑥

① Completes as "EZ", conduit mounting boxes ordered separately.
 ② NN mount ordered separately.
 ③ Tuffskin[®] is a registered trademark of Thomas Mfg. Corp.
 ④ Teflon[®] is a registered trademark of DuPont, Inc.
 ⑤ AEx nAR Restricted Breathing - See page 3 for more information.
 ⑥ Order Guards for Spin-Tops & VMER40 separately.

⑦ QA not suitable for Class I, Div. 2/Zone 2 applications; consult factory for other hazardous applications.
 ⑧ Fusing not for Marine or Canadian installations.
 ⑨ Photo cells for Class I, Div. 2 only.
 ⑩ Field connection to proper tap in case of Multitap Ballasts.
 ⑪ Not for use with wall or straight (90°) Stanchion.
 ⑫ QD = Quick Disconnect. Allows easy tank removal for maintenance. Electrician simply unplugs de-energized ballast from supply circuit.

CERTILITE[®] V CATALOG ORDERING INFORMATION - HPS 50-600W



**Flexible Pendant
w/ 5-1/2"
Reflector & Guard**



**Flexible Pendant
w/ 7-3/4"
Reflector & Guard**



**Pendant
w/ Spin-Top
Reflector**

Class I, Div. 2, Groups A,B,C,D^①
Class I, Zone 2, Groups IIC, IIB, IIA
Class II, Div. 1 & 2, Groups E,F,G
Class III
Suitable for wet locations
NEMA 3, 4X, IP66
NR Restricted Breathing Option^⑤
Class I, Zone 2 AEx nAR

US Listed - Files E10514 (Hazardous and Marine)

VM 50-150 WATT HIGH PRESSURE SODIUM FLEXIBLE PENDANT										
DESCRIPTION				5-1/2" OPTIC THREAD SIZE ^②			7-3/4" OPTIC THREAD SIZE ^②			
WATTS	ANSI	HUB SIZE ^③	VOLTAGE ^④	GLOBE & GUARD	TYPE I GLASS REFRACTOR & GUARD	TYPE V GLASS REFRACTOR & GUARD	GLOBE & GUARD	TYPE I GLASS REFRACTOR & GUARD	TYPE V GLASS REFRACTOR & GUARD	ENCLOSED REFLECTOR
50	S68	3/4"	Quad	VM3S050F2GLG	VM3S050F2R1G	VM3S050F2R5G	VM4S050F2GLG	VM4S050F2R1G	VM4S050F2R5G	VM4S050F2ERN
			Tri	VM3S056F2GLG	VM3S056F2R1G	VM3S056F2R5G	VM4S056F2GLG	VM4S056F2R1G	VM4S056F2R5G	VM4S056F2ERN
			480	VM3S055F2GLG	VM3S055F2R1G	VM3S055F2R5G	VM4S055F2GLG	VM4S055F2R1G	VM4S055F2R5G	VM4S055F2ERN
70	S62	3/4"	Quad	VM3S070F2GLG	VM3S070F2R1G	VM3S070F2R5G	VM4S070F2GLG	VM4S070F2R1G	VM4S070F2R5G	VM4S070F2ERN
			Tri	VM3S076F2GLG	VM3S076F2R1G	VM3S076F2R5G	VM4S076F2GLG	VM4S076F2R1G	VM4S076F2R5G	VM4S076F2ERN
			480	VM3S075F2GLG	VM3S075F2R1G	VM3S075F2R5G	VM4S075F2GLG	VM4S075F2R1G	VM4S075F2R5G	VM4S075F2ERN
100	S54	3/4"	Quad	VM3S100F2GLG	VM3S100F2R1G	VM3S100F2R5G	VM4S100F2GLG	VM4S100F2R1G	VM4S100F2R5G	VM4S100F2ERN
			Tri	VM3S106F2GLG	VM3S106F2R1G	VM3S106F2R5G	VM4S106F2GLG	VM4S106F2R1G	VM4S106F2R5G	VM4S106F2ERN
			480	VM3S105F2GLG	VM3S105F2R1G	VM3S105F2R5G	VM4S105F2GLG	VM4S105F2R1G	VM4S105F2R5G	VM4S105F2ERN
150	S55	3/4"	Quad	VM3S150F2GLG	VM3S150F2R1G	VM3S150F2R5G	VM4S150F2GLG	VM4S150F2R1G	VM4S150F2R5G	VM4S150F2ERN
			Tri	VM3S156F2GLG	VM3S156F2R1G	VM3S156F2R5G	VM4S156F2GLG	VM4S156F2R1G	VM4S156F2R5G	VM4S156F2ERN
			480	VM3S155F2GLG	VM3S155F2R1G	VM3S155F2R5G	VM4S155F2GLG	VM4S155F2R1G	VM4S155F2R5G	VM4S155F2ERN

VM 200-600 WATT HIGH PRESSURE SODIUM PENDANT							
DESCRIPTION				7-3/4" OPTIC THREAD SIZE ^②			
WATTS	ANSI	HUB SIZE ^③	VOLTAGE ^④	GLOBE & GUARD	TYPE V SPIN-TOP GLASS REFRACTOR	ENCLOSED REFLECTOR	POLYCARBONATE SHIELDED ENCLOSED REFLECTOR
200	S66	3/4"	Quad	VM5S200A2GLG	VM5S200A2S5N	VM5S200A2ERN	VM5S200A2EPN
			Tri	VM5S206A2GLG	VM5S206A2S5N	VM5S206A2ERN	VM5S206A2EPN
			480	VM5S205A2GLG	VM5S205A2S5N	VM5S205A2ERN	VM5S205A2EPN
250	S50	3/4"	Quad	VM5S250A2GLG	VM5S250A2S5N	VM5S250A2ERN	VM5S250A2EPN
			Tri	VM5S256A2GLG	VM5S256A2S5N	VM5S256A2ERN	VM5S256A2EPN
			480	VM5S255A2GLG	VM5S255A2S5N	VM5S255A2ERN	VM5S255A2EPN
400	S51	3/4"	Quad	VM5S400A2GLG	VM5S400A2S5N	VM5S400A2ERN	VM5S400A2EPN
			Tri	VM5S406A2GLG	VM5S406A2S5N	VM5S406A2ERN	VM5S406A2EPN
			480	VM5S405A2GLG	VM5S405A2S5N	VM5S405A2ERN	VM5S405A2EPN
600	S106	3/4"	Quad	—	—	VM5S600A2ERN	—
			Tri	—	—	VM5S606A2ERN	—
			480	—	—	VM5S605A2ERN	—

Pendant HPS models shown. Consult master catalog for other mounts, accessories and hazardous location application data.

^① See hazardous application data in Killark Catalog for limitations.
^② Catalog numbers shown are with guard (except enclosed reflector); to omit guard change ending G to N; e.g. VM3S050F2GLN
^③ Catalog numbers shown are with 3/4" conduit openings; change 2 to 3 for 1"; e.g. VM3S050F3GLG.
^④ Consult catalog logic for other available voltages.
^⑤ Add suffix NR for ExnR restricted breathing; see page 3 for more information.

CERTILITE[®] CATALOG ORDERING INFORMATION - MH 70-400W



**Ceiling
w/ 5-1/2"
Globe & Guard**



**Ceiling
w/ 7-3/4"
Globe & Guard**



**EZ Adapter
w/ Enclosed
Reflector**

Class I, Div. 2, Groups A,B,C,D^①
Class I, Zone 2, Groups IIC, IIB, IIA
Class II, Div. 1 & 2, Groups E,F,G
Class III
Suitable for wet locations
NEMA 3, 4X, IP66
NR Restricted Breathing Option^⑤
Class I, Zone 2 AEx nAR

Listed - Files E10514 (Hazardous and Marine)

VM 70-250 WATT METAL HALIDE CEILING										
DESCRIPTION				5-1/2" OPTIC THREAD SIZE ^②			7-3/4" OPTIC THREAD SIZE ^②			
WATTS	ANSI	HUB SIZE ^③	VOLTAGE ^④	GLOBE & GUARD	TYPE I GLASS REFRACTOR & GUARD	TYPE V GLASS REFRACTOR & GUARD	GLOBE & GUARD	TYPE I GLASS REFRACTOR & GUARD	TYPE V GLASS REFRACTOR & GUARD	ENCLOSED REFLECTOR
70	M98 M143	3/4"	Quad	VM3H070X2GLG	VM3H070X2R1G	VM3H070X2R5G	VM4H070X2GLG	VM4H070X2R1G	VM4H070X2R5G	VM4H070X2ERN
			Tri	VM3H076X2GLG	VM3H076X2R1G	VM3H076X2R5G	VM4H076X2GLG	VM4H076X2R1G	VM4H076X2R5G	VM4H076X2ERN
			480	VM3H075X2GLG	VM3H075X2R1G	VM3H075X2R5G	VM4H075X2GLG	VM4H075X2R1G	VM4H075X2R5G	VM4H075X2ERN
100	M90 M140	3/4"	Quad	VM3H100X2GLG	VM3H100X2R1G	VM3H100X2R5G	VM4H100X2GLG	VM4H100X2R1G	VM4H100X2R5G	VM4H100X2ERN
			Tri	VM3H106X2GLG	VM3H106X2R1G	VM3H106X2R5G	VM4H106X2GLG	VM4H106X2R1G	VM4H106X2R5G	VM4H106X2ERN
			480	VM3H105X2GLG	VM3H105X2R1G	VM3H105X2R5G	VM4H105X2GLG	VM4H105X2R1G	VM4H105X2R5G	VM4H105X2ERN
175	M57	3/4"	Quad	VM3H170X2GLG	VM3H170X2R1G	VM3H170X2R5G	VM4H170X2GLG	VM4H170X2R1G	VM4H170X2R5G	VM4H170X2ERN
			Tri	VM3H176X2GLG	VM3H176X2R1G	VM3H176X2R5G	VM4H176X2GLG	VM4H176X2R1G	VM4H176X2R5G	VM4H176X2ERN
			480	VM3H175X2GLG	VM3H175X2R1G	VM3H175X2R5G	VM4H175X2GLG	VM4H175X2R1G	VM4H175X2R5G	VM4H175X2ERN
250	M58	3/4"	Quad	VM3H250X2GLG	VM3H250X2R1G	VM3H250X2R5G	VM4H250X2GLG	VM4H250X2R1G	VM4H250X2R5G	VM4H250X2ERN
			Tri	VM3H256X2GLG	VM3H256X2R1G	VM3H256X2R5G	VM4H256X2GLG	VM4H256X2R1G	VM4H256X2R5G	VM4H256X2ERN
			480	VM3H255X2GLG	VM3H255X2R1G	VM3H255X2R5G	VM4H255X2GLG	VM4H255X2R1G	VM4H255X2R5G	VM4H255X2ERN

VM 400 WATT METAL HALIDE EZ ADAPTER							
DESCRIPTION				7-3/4" OPTIC THREAD SIZE ^②			
WATTS	ANSI	HUB SIZE ^⑥	VOLTAGE ^④	GLOBE & GUARD	TYPE V SPIN-TOP GLASS REFRACTOR	ENCLOSED REFLECTOR	POLYCARBONATE SHIELDED ENCLOSED REFLECTOR ^⑦
400	M59	⑥	Quad	VM5H400EZGLG	VM5H400EZS5N	VM5H400EZERN	VM5H400EZEPN
			Tri	VM5H406EZGLG	VM5H406EZS5N	VM5H406EZERN	VM5H406EZEPN
			480	VM5H405EZGLG	VM5H405EZS5N	VM5H405EZERN	VM5H405EZEPN

Ceiling & EZ adapter MH models shown. Consult master catalog for other mounts, accessories and hazardous location application data.

- ① See hazardous application data in Killark Catalog for limitations.
- ② Catalog numbers shown are with guard (except enclosed reflector); to omit guard change ending G to N; e.g. VM3S050X2GLN
- ③ Catalog numbers shown are with 3/4" conduit openings; change 2 to 3 for 1"; e.g. VM3S050X3GLG.
- ④ Consult catalog logic for other available voltages.
- ⑤ Add suffix NR for ExnR restricted breathing; see page 3 for more information.



MOUNTING BOXES				
CATALOG NUMBER				HUB SIZE
PENDANT	CEILING	BRACKET	STANCHION	
EZA2	EZX2	EZB2	—	3/4"
EZA3	EZX3	EZB3	—	1"
—	—	—	EZD4*	1-1/4"/1-1/2**

*1-1/2" furnished with 1-1/2"-1-1/4" reducer

CERTILITE[®]V CATALOG ORDERING INFORMATION - MHP 150-400W



**Cone
w/ 5-1/2"
Globe & Guard**



**Cone
w/ 7-3/4"
Globe & Guard**



**Wall
w/ Globe &
Guard**

Class I, Div. 2, Groups A,B,C,D^①
Class I, Zone 2, Groups IIC, IIB, IIA
Class II, Div. 1 & 2, Groups E,F,G
Class III
Suitable for wet locations
NEMA 3, 4X, IP66
NR Restricted Breathing Option^⑤
Class I, Zone 2 AEx nAR

Listed - Files E10514 (Hazardous and Marine)

VM 150-200 WATT METAL HALIDE PULSE CONE										
DESCRIPTION				5-1/2" OPTIC THREAD SIZE ^②			7-3/4" OPTIC THREAD SIZE ^②			
WATTS	ANSI	HUB SIZE ^③	VOLTAGE ^④	GLOBE & GUARD	TYPE I GLASS REFRACTOR & GUARD	TYPE V GLASS REFRACTOR & GUARD	GLOBE & GUARD	TYPE I GLASS REFRACTOR & GUARD	TYPE V GLASS REFRACTOR & GUARD	ENCLOSED REFLECTOR
150	M102 M142	3/4"	Quad	VM3P150C2GLG	VM3P150C2R1G	VM3P150C2R5G	VM4P150C2GLG	VM4P150C2R1G	VM4P150C2R5G	VM4P150C2ERN
			Tri	VM3P156C2GLG	VM3P156C2R1G	VM3P156C2R5G	VM4P156C2GLG	VM4P156C2R1G	VM4P156C2R5G	VM4P156C2ERN
			480	VM3P155C2GLG	VM3P155C2R1G	VM3P155C2R5G	VM4P155C2GLG	VM4P155C2R1G	VM4P155C2R5G	VM4P155C2ERN
175	M137 M152	3/4"	Quad	VM3P170C2GLG	VM3P170C2R1G	VM3P170C2R5G	VM4P170C2GLG	VM4P170C2R1G	VM4P170C2R5G	VM4P170C2ERN
			Tri	VM3P176C2GLG	VM3P176C2R1G	VM3P176C2R5G	VM4P176C2GLG	VM4P176C2R1G	VM4P176C2R5G	VM4P176C2ERN
			480	VM3P175C2GLG	VM3P175C2R1G	VM3P175C2R5G	VM4P175C2GLG	VM4P175C2R1G	VM4P175C2R5G	VM4P175C2ERN
200	M136	3/4"	Quad	VM3P200C2GLG	VM3P200C2R1G	VM3P200C2R5G	VM4P200C2GLG	VM4P200C2R1G	VM4P200C2R5G	VM4P200C2ERN
			Tri	VM3P206C2GLG	VM3P206C2R1G	VM3P206C2R5G	VM4P206C2GLG	VM4P206C2R1G	VM4P206C2R5G	VM4P206C2ERN
			480	VM3P205C2GLG	VM3P205C2R1G	VM3P205C2R5G	VM4P205C2GLG	VM4P205C2R1G	VM4P205C2R5G	VM4P205C2ERN

VM 250-400 WATT METAL HALIDE PULSE WALL							
DESCRIPTION				7-3/4" OPTIC THREAD SIZE ^②			
WATTS	ANSI	HUB SIZE ^③	VOLTAGE ^④	GLOBE & GUARD	TYPE V SPIN-TOP GLASS REFRACTOR	ENCLOSED REFLECTOR	POLYCARBONATE SHIELDED ENCLOSED REFLECTOR
250	M138 M153	3/4"	Quad	VM5P250B2GLG	VM5P250B2S5N	VM5P250B2ERN	—
			Tri	VM5P256B2GLG	VM5P256B2S5N	VM5P256B2ERN	—
			480	VM5P255B2GLG	VM5P255B2S5N	VM5P255B2ERN	—
320	M132 M154	3/4"	Quad	VM5P320B2GLG	VM5P320B2S5N	VM5P320B2ERN	—
			Tri	VM5P326B2GLG	VM5P326B2S5N	VM5P326B2ERN	—
			480	VM5P325B2GLG	VM5P325B2S5N	VM5P325B2ERN	—
350	M131	3/4"	Quad	VM5P350B2GLG	VM5P350B2S5N	VM5P350B2ERN	—
			Tri	VM5P356B2GLG	VM5P356B2S5N	VM5P356B2ERN	—
			480	VM5P355B2GLG	VM5P355B2S5N	VM5P355B2ERN	—
400	M135 M155	3/4"	Quad	VM5P400B2GLG	VM5P400B2S5N	VM5P400B2ERN	—
			Tri	VM5P406B2GLG	VM5P406B2S5N	VM5P406B2ERN	—
			480	VM5P405B2GLG	VM5P405B2S5N	VM5P405B2ERN	—

Cone & Wall MHP models shown. Consult master catalog for other mounts, accessories and hazardous location application data.

^① See hazardous application data in Killark Catalog for limitations.

^② Globe catalog number shown with guard. To omit guard, change G to N; e.g. VM5P250C2GLN. Order spin top and enclosed reflector guards separately.

^③ Catalog numbers shown are with 3/4" conduit openings, change 2 to 3 for 1"; e.g. VM1S250C3GLG.

^④ Consult catalog logic for other available voltages.

^⑤ Add suffix NR for ExnR restricted breathing; see page 3 for more information.

CERTILITE[®] V CATALOG ORDERING INFORMATION - MV 100-400W



**Stanchion 25°
w/ 5-1/2"
Globe & Guard**



**Stanchion 25°
w/ 7-3/4"
Globe & Guard**



**Stanchion Straight
w/ Enclosed
Reflector**

Class I, Div. 2, Groups A,B,C,D^①
Class I, Zone 2, Groups IIC, IIB, IIA
Class II, Div. 1 & 2, Groups E,F,G
Class III
Suitable for wet locations
NEMA 3, 4X, IP66
NR Restricted Breathing Option^⑤
Class I, Zone 2 AEx nAR

Listed - Files E10514 (Hazardous and Marine)

VM 100-250 WATT MERCURY VAPOR STANCHION 25° ANGLE										
DESCRIPTION				5-1/2" OPTIC THREAD SIZE ^②			7-3/4" OPTIC THREAD SIZE ^②			
WATTS	ANSI	HUB SIZE ^③	VOLTAGE ^④	GLOBE & GUARD	TYPE I GLASS REFRACTOR & GUARD	TYPE V GLASS REFRACTOR & GUARD	GLOBE & GUARD	TYPE I GLASS REFRACTOR & GUARD	TYPE V GLASS REFRACTOR & GUARD	ENCLOSED REFLECTOR
100	H38	1-1/2"	Quad	VM3M100D5GLG	VM3M100D5R1G	VM3M100D5R5G	VM4M100D5GLG	VM4M100D5R1G	VM4M100D5R5G	VM4M100D5ERN
			Tri	VM3M106D5GLG	VM3M106D5R1G	VM3M106D5R5G	VM4M106D5GLG	VM4M106D5R1G	VM4M106D5R5G	VM4M106D5ERN
			480	VM3M105D5GLG	VM3M105D5R1G	VM3M105D5R5G	VM4M105D5GLG	VM4M105D5R1G	VM4M105D5R5G	VM4M105D5ERN
175	H39	1-1/2"	Quad	VM3M170D5GLG	VM3M170D5R1G	VM3M170D5R5G	VM4M170D5GLG	VM4M170D5R1G	VM4M170D5R5G	VM4M170D5ERN
			Tri	VM3M176D5GLG	VM3M176D5R1G	VM3M176D5R5G	VM4M176D5GLG	VM4M176D5R1G	VM4M176D5R5G	VM4M176D5ERN
			480	VM3M175D5GLG	VM3M175D5R1G	VM3M175D5R5G	VM4M175D5GLG	VM4M175D5R1G	VM4M175D5R5G	VM4M175D5ERN
250	H37	1-1/2"	Quad	VM3M250D5GLG	VM3M250D5R1G	VM3M250D5R5G	VM4M250D5GLG	VM4M250D5R1G	VM4M250D5R5G	VM4M250D5ERN
			Tri	VM3M256D5GLG	VM3M256D5R1G	VM3M256D5R5G	VM4M256D5GLG	VM4M256D5R1G	VM4M256D5R5G	VM4M256D5ERN
			480	VM3M255D5GLG	VM3M255D5R1G	VM3M255D5R5G	VM4M255D5GLG	VM4M255D5R1G	VM4M255D5R5G	VM4M255D5ERN

VM 400 WATT MERCURY VAPOR STANCHION STRAIGHT							
DESCRIPTION				7-3/4" OPTIC THREAD SIZE ^②			
WATTS	ANSI	HUB SIZE ^③	VOLTAGE ^④	GLOBE & GUARD	TYPE V SPIN-TOP GLASS REFRACTOR	ENCLOSED REFLECTOR	POLYCARBONATE SHIELDED ENCLOSED REFLECTOR
400	H33	1-1/2"	Quad	VM5M400S5GLG	VM5M400S5S5N	VM5M400S5ERN	—
			Tri	VM5M406S5GLG	VM5M406S5S5N	VM5M406S5ERN	—
			480	VM5M405S5GLG	VM5M405S5S5N	VM5M405S5ERN	—

Stanchion MV models shown. Consult master catalog for other mounts, accessories and hazardous location application data.

- ① See hazardous application data in Killark Catalog for limitations.
- ② Catalog numbers shown are with guard (except enclosed reflector); to omit guard change ending G to N; e.g. VM3S050D2GLN
- ③ Catalog numbers shown are with 3/4" conduit openings; change 2 to 3 for 1"; e.g. VM3S050D3GLG.
- ④ Consult catalog logic for other available voltages.
- ⑤ Add suffix NR for ExnR restricted breathing; see page 3 for more information.



**Photo Control
(Field Installed
in Splice cap)**



**Photo Control^①
(Factory Installed
in ballast tank)**



**Photo Control
Component***

PHOTO CONTROL FOR STANDARD AND HAZARDOUS CLASS I DIVISION 2 AREAS ^②			
CATALOG NUMBER	VOLTS	FREQUENCY	WATTS
HUB2PC120	120VAC	50/60Hz	400
HUB2PC227 ^③	208-277VAC ^③	50/60Hz	400
HUB2PC347	347VAC	50/60Hz	440

① Must be factory installed. Add P1 (for 120V), P2 (for 208-277V) or P3 (for 347V).

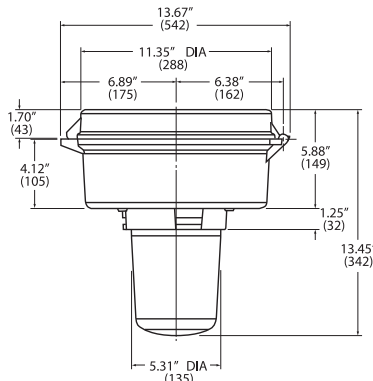
② Photo control cells for Class 1 Division 2 only.

③ Marked 220-277V, suitable for 208V.

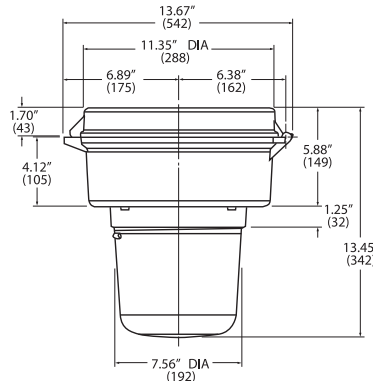
* Patent Pending



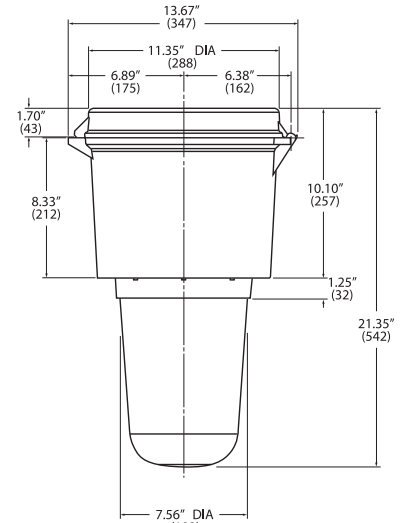
DIMENSIONS



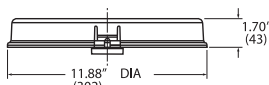
VM3 Fixture



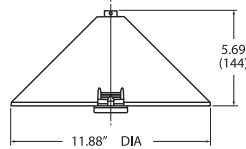
VM4 Fixture



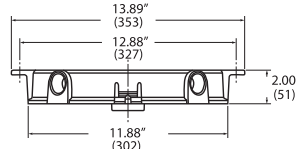
VM5 Fixture



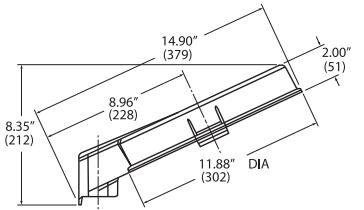
Pendant Mount



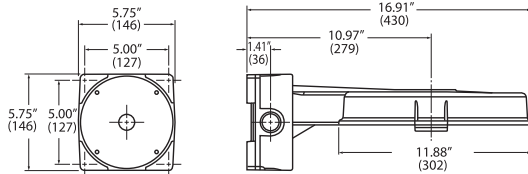
Cone Mount



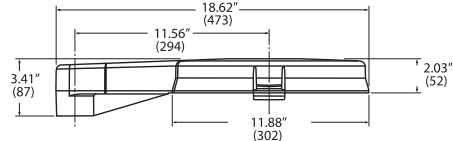
Ceiling Mount



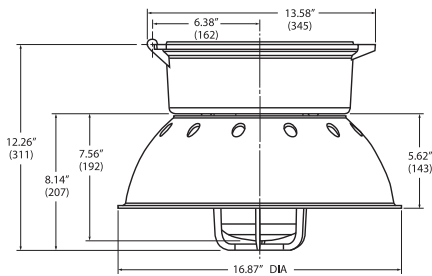
Stanchion(25°) Mount



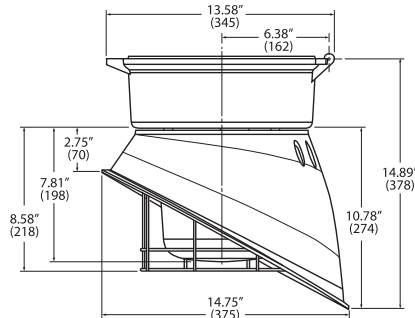
Wall Bracket Mount



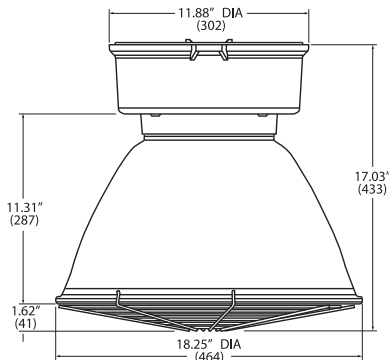
Stanchion(0°) Mount



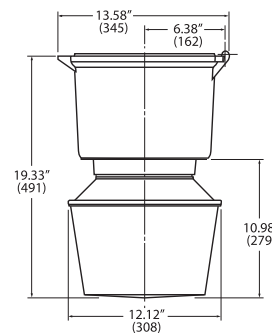
**VM3 Ballast Tank
VMG17 5-1/2\"**



**VM4 Ballast Tank
VMG17 7-3/4\"**



**VM4 Ballast Tank
VMER40 Enclosed Reflector
VMERG Guard**



**VM5 Ballast Housing
12\"**

SAMPLE PHOTOMETRICS

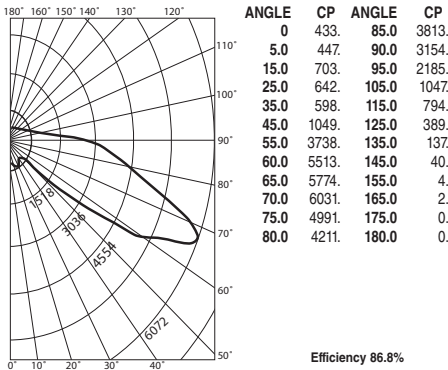
METAL HALIDE, METAL HALIDE PULSE, MERCURY VAPOR -VM3

With Type I All Glass Refractor
70-250 Watt
Mogul Base



CANDLEPOWER – 175 WATT
14000 lumens

For 70 MH watt multiply by 0.40
For 100 MH watt multiply by 0.64
For 250 MH watt multiply by 1.57
For 150 MHP watt multiply by 1.00
For 175 MHP watt multiply by 1.25
For 200 MHP watt multiply by 1.50
For 100 MV watt multiply by 0.31
For 175 MV watt multiply by 0.56
For 250 MV watt multiply by 0.93



Angle Vertical
CP 90° Horizontal

COEFFICIENTS OF UTILIZATION – ZONAL CAVITY METHOD

% EFFECTIVE CEILING CAVITY REFLECTANCE <i>I_{cc}</i>	80	70	50	30	10	0
% WALL REFLECTANCE <i>I_w</i>	70 50 30 10	70 50 30 10	50 30 10	50 30 10	50 30 10	0
ROOM CAVITY RATIO RCR	20% Effective Floor Cavity Reflectance					
0	99.99	99.99	95.95	95.95	87.87	87.87
1	83.76	69.63	79.72	66.61	65.60	56.58
2	72.61	52.44	67.58	49.42	51.44	39.46
3	63.50	40.32	59.47	38.31	42.34	28.37
4	56.42	32.24	52.40	30.23	35.27	21.21
5	51.36	26.19	47.34	25.18	30.22	16.27
6	46.32	22.15	43.30	21.15	26.19	13.23
7	42.28	19.13	39.27	18.12	24.16	11.20
8	39.25	17.11	37.24	16.10	21.14	9.17
9	36.23	15.09	34.22	14.09	19.12	8.15
10	34.21	13.08	32.20	12.07	18.11	7.13

SPACING TO MOUNTING HEIGHT RATIO - 5.7 90-270°

Test No. HPK09980

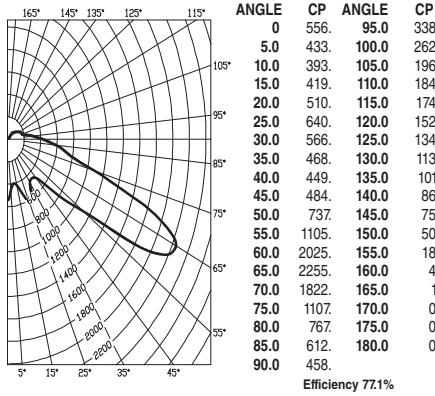
HIGH PRESSURE SODIUM-VM4

With Type V All Glass Refractor
50-150 Watt
Mogul Base



CANDLEPOWER – 100 WATT

9500 lumens
For 50 watt multiply by 0.42
For 70 watt multiply by 0.68
For 150 watt multiply by 1.68



COEFFICIENTS OF UTILIZATION – ZONAL CAVITY METHOD

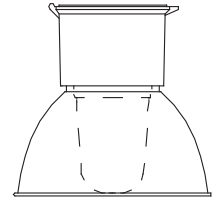
% EFFECTIVE CEILING CAVITY REFLECTANCE <i>I_{cc}</i>	80	70	50	30	10	0
% WALL REFLECTANCE <i>I_w</i>	70 50 30 10	70 50 30 10	50 30 10	50 30 10	50 30 10	0
ROOM CAVITY RATIO RCR	20% Effective Floor Cavity Reflectance					
0	88.88	88.88	84.84	84.84	78.78	78.78
1	75.70	65.60	72.67	62.58	61.58	54.56
2	66.57	49.43	62.54	48.42	50.44	39.41
3	58.47	38.32	54.45	37.31	41.34	29.37
4	51.39	30.23	48.37	29.23	34.27	21.27
5	45.33	24.18	43.31	23.17	28.21	16.25
6	41.29	20.14	39.27	20.14	25.18	13.22
7	38.26	18.12	36.24	17.12	22.16	11.20
8	35.23	15.10	33.22	15.10	20.14	9.18
9	33.21	14.09	31.20	13.09	18.12	8.17
10	30.19	12.08	29.18	12.07	17.11	7.15

SPACING TO MOUNTING HEIGHT RATIO - 1.4

Test No. HPK09959

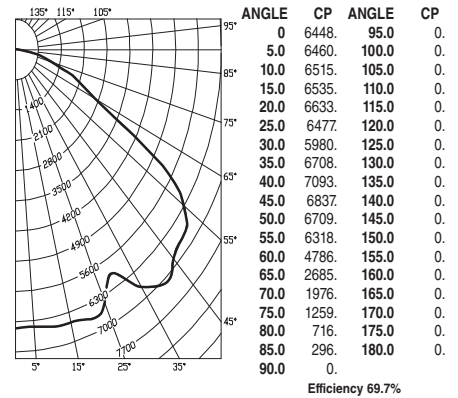
METAL HALIDE, METAL HALIDE PULSE, MERCURY VAPOR-VM5

With Globe & Full Cutoff Deep White Reflector*
250-400 Watt
Mogul Base



CANDLEPOWER – 400 WATT

36000 lumens
For 250 MH multiply by 0.61
For 250 MHP multiply by 0.66
For 320 MHP multiply by 0.92
For 350 MHP multiply by 1.00
For 400 MHP multiply by 1.22
For 400 MV multiply by 0.64



COEFFICIENTS OF UTILIZATION – ZONAL CAVITY METHOD

% EFFECTIVE CEILING CAVITY REFLECTANCE <i>I_{cc}</i>	80	70	50	30	10	0
% WALL REFLECTANCE <i>I_w</i>	70 50 30 10	70 50 30 10	50 30 10	50 30 10	50 30 10	0
ROOM CAVITY RATIO RCR	20% Effective Floor Cavity Reflectance					
0	83.83	83.83	81.81	81.81	77.77	77.77
1	76.73	70.67	74.71	69.66	68.66	64.64
2	70.64	60.56	68.63	59.56	61.57	54.52
3	64.57	52.48	62.56	51.47	54.50	46.45
4	58.50	45.40	57.49	44.40	48.43	39.45
5	53.45	39.34	52.44	38.34	42.37	33.41
6	49.40	34.29	48.39	33.29	38.33	29.36
7	45.35	29.25	44.35	29.25	34.28	25.32
8	41.31	25.21	40.31	25.21	30.25	21.29
9	38.28	22.18	37.28	22.18	27.22	18.26
10	34.25	19.15	33.24	19.15	23.18	15.22

SPACING TO MOUNTING HEIGHT RATIO - 1.8

*Values using Spacer Kit

Test No. HPK10075

See the Killark catalog or website for full range of photometrics.

CERTILITE[®] SOFTWARE



POWERFUL Luminaire Layout and Calculation Software
Available 3Q05 from Killark

Software is used to determine number of fixtures required and their proper layout for various tasks and applications.

Contact you local Killark sales representative for availability.



CERTILITE® TO CERTILITE®V CROSS REFERENCE

GENERAL CROSS-REFERENCE FOR CERTILITE® TO NEW CERTILITE®V***							
	WATTS	ANSI LAMP TYPE		GLOBE & GUARD	SPIN-TOP REFRACTOR	ENCLOSED REFLECTOR	TANK ONLY
HPS	50	S68	Certilite®	VML1-1-12GG	VML1-1-12G58	—	VMLO-0-120
			Certilite®V	VM3S05211GLG	VM3S05211S8N	—	VM3S052
	70	S62	Certilite®	VML1-1-42GG	VML1-1-42G58	—	VMLO-0-420
			Certilite®V	VM3S07211GLG	VM3S07211S8N	—	VM3S072
	100	S54	Certilite®	VML1-1-52GG	VML1-1-52G58	—	VMLO-0-520
			Certilite®V	VM3S10211GLG	VM3S10211S8N	—	VM3S102
	150	S55	Certilite®	VML1-1-92GG	VML1-1-92G58	—	VMLO-0-920
Certilite®V			VM3S15211GLG	VM3S15211S8N	—	VM3S152	
250	S50	Certilite®	VMV1-1-72GG	VMV1-1-72G5	VMV1-1-72ER	VMVO-0-720	
		Certilite®V	VM5S25211GLG	VM5S25211S5N	VM5S25211ERN	VM5S252	
400	S51	Certilite®	VMV1-1-82GG	VMV1-1-82G5	VMV1-1-82ER	VMVO-0-820	
Certilite®V	VM5S40211GLG	VM5S40211S5N	VM5S40211ERN	VM5S402			
MH	70	M98	Certilite®	VMM1-1-42GG	VMM1-1-42G58	—	VMM0-0-420
			Certilite®V	VM3H07211GLG	VM3H07211S8N	—	VM3H072
	100	M90	Certilite®	VMM1-1-52GG	VMM1-1-52G58	—	VMM0-0-520
			Certilite®V	VM3H10211GLG	VM3H10211S8N	—	VM3H102
	175	M57	Certilite®	VMM1-1-62GG	VMM1-1-62G58	—	VMM0-0-620
			Certilite®V	VM3H17211GLG	VM3H17211S5N	—	VM3H172
250	M58	Certilite®	VMM1-1-72GG	VMM1-1-72G58	—	VMM0-0-720	
		Certilite®V	VM3H25211GLG	VM3H25211S5N	—	VM3H252	
400	M59	Certilite®	VMF1-1-82GG	VMF1-1-82G5	VMF1-1-82ER	VMFO-0-820	
Certilite®V	VM5H40211GLG	VM5H40211S5N	VM5H40211ERN	VM5H402			
MHP	175	M137	Certilite®	VMU1-1-62GG	VMU1-1-62G58	—	VMU0-0-620
			Certilite®V	VM3P17211GLG	VM3P17211S8N	—	VM3P172
	250	M138	Certilite®	VMP1-1-72GG	VMP1-1-72G5	VMP1-1-72ER	VMPO-0-720
			Certilite®V	VM5P25211GLG	VM5P25211S5N	VM5P25211ERN	VM5P252
	320	M132	Certilite®	VMP1-1-32GG	VMP1-1-32G5	VMP1-1-32ER	VMPO-0-320
			Certilite®V	VM5P32211GLG	VM5P32211S5N	VM5P32211ERN	VM5P322
350	M131	Certilite®	VMP1-1-35GG	VMP1-1-35G5	VMP1-1-35ER	VMPO-0-350	
		Certilite®V	VM5P35211GLG	VM5P35211S5N	VM5P35211ERN	VM5P352	
400	M135	Certilite®	VMP1-1-82GG	VMP1-1-82G5	VMP1-1-82ER	VMPO-0-820	
		Certilite®V	VM5P40211GLG	VM5P40211S5N	VM5P40211ERN	VM5P402	
MV	100	H38	Certilite®	VMK1-1-52GG	VMK1-1-52G58	—	VMKO-0-520
			Certilite®V	VM3M10211GLG	VM3M10211S8N	—	VM3M102
	175	H39	Certilite®	VMK1-1-62GG	VMK1-1-62G58	—	VMKO-0-620
			Certilite®V	VM3M17211GLG	VM3M17211S8N	—	VM3M172
	250	H37	Certilite®	VMK1-1-72GG	VMK1-1-72G58	—	VMKO-0-720
Certilite®V			VM3M25211GLG	VM3M25211S8N	—	VM3M252	
400	H33	Certilite®	VME1-1-82GG	VME1-1-82G5	VME1-1-82ER	VME0-0-820	
Certilite®V	VM5M40211GLG	VM5M40211S5N	VM5M40211ERN	VM5M402			

*** See catalog logic for more information regarding additional conduit sizing and fixture options and accessories.

COMPONENTS			
	Certilite®	Certilite®V	DESCRIPTION
MOUNTS	VMA-2	VMA2B	3/4" Pendant
	VMA-3	VMA3B	1" Pendant
	VMB-2	VMB2B	3/4" Wall Bracket
	VMB-3	VMB3B	1" Wall Bracket
	VMC-2	VMC2B	3/4" Cone Top
	VMD-4	VMD4B	1-1/4" 25° Stanchion
	VMD-5	VMD5B	1-1/2" 25° Stanchion
	VMD5-5	VMS5B	1-1/2" 90° Stanchion
	VMX-2	VMX2B	3/4" Ceiling
	VMX-3	VMX3B	1" Ceiling
OPTS	VMG-17	VMG17	5-1/2" GLOBE
	VMGT-17	VMGT17F	TUFFSKIN GLOBE
	VMGTC-17	VMGT17T	TELFON GLOBE
	VMG-40	VMG40	7-3/4" HIGH WATT GLOBE
	VZRG-1550	VZRG1550	8" SPIN-TOP V REFRACTOR
	VZRG-2550	VZRG2550	12" SPIN-TOP V REFRACTOR
	VZRG-2510	VZRG2510	12" SPIN-TOP II REFRACTOR
	VZRP-175	VZRP175	12" POLY REFRACTOR
	VZRG-4050	VZRG4050	12" SPIN-TOP V REFRACTOR
	VZRG-4020	VZRG4020	12" SPIN-TOP II REFRACTOR
GUARDS	VMER40	VMER40	ENCLOSED REFLECTOR
	VMAG-17	VMAG17	5-1/2" GLOBE GUARD
	VMAG-40	VMAG40	HIGH WATT GLOBE GUARD
	VMRWG-8	VMRWG8	8" SPIN-TOP GUARD
REFLECTORS	VMRWG	VMRWG	12" SPIN-TOP GUARD
	VMPSD-17	VMPSD40	WHITE REFLECTOR③
	VMPA-17	VMPA40	WHITE ANGLE REFLECTOR③
	VMPSD-40	VMPSD40	WHITE REFLECTOR
	VMPA-40	VMPA40	WHITE ANGLE REFLECTOR
HRD-400	HRD400	DEEP WHITE REFLECTOR	
HRD-400ALZ	HRD400ALZ	DEEP ALZAK REFLECTOR	

③ All Certilite®V tanks use "40" reflectors.

MOUNT CODES ①①		
Certilite® ①-①	Certilite®V ①①	DESCRIPTION
A-2	A2	3/4" Pendant
A-3	A3	1" Pendant
B-2	B2	3/4" Wall Bracket
B-3	B3	1" Wall Bracket
C-2	C2	3/4" Cone Top
D-4	D4	1-1/4" 25° Stanchion
D-5	D5	1-1/2" 25° Stanchion
S-5	S5	1-1/2" 90° Stanchion
X-2	X2	3/4" Ceiling
X-3	X3	1" Ceiling

VOLTAGE CODES ②		
Certilite®	Certilite®V	DESCRIPTION
0	0	Quad-Tap 120, 208, 240, 277V 60Hz
6	6	Tri-Tap 120, 277, 347V 60Hz
5	5	480V 60Hz
7	7	220V 60Hz
8	8	240V 50Hz

OPTIONS		
Certilite®	Certilite®V	DESCRIPTION
QTZ	QA	Quartz Auxiliary
IR	IR	Instant Restart
BP	BP	Ballast Protector
NR	NR	Restricted Breathing
SU103	AS	Assembled w/Standard Lamp

Certilite® VM Fixture



Certilite®V Fixture

