

RIGID • IMC

Universal Super Fitting™ Connector Raintight



Applications

- Used to join conduit to a metal box
- Suitable for outdoor applications
- Metal box to threaded GRC/IMC
- Metal box to unthreaded GRC/IMC
- Metal box to thin wall EMT

Features

- UL Listed for wet location
- Suitable for direct burial applications
- Permitted for use in Class I Division 2 locations per section 501.10(B)(1) of the NEC®
- Permitted for use in Class II Division 2 locations per section 502.10(B)(1) of the NEC®
- Ease of installation/quick-connect
- Universal connecting - threaded or unthreaded
- No more turning pipe
- Self pipe alignment
- Eliminates field threading
- Fit GRC/IMC/EMT (fits all UL approved metal pipe)
- 40 to 50% less weight

Standard Materials

Steel, Nylon, Neoprene

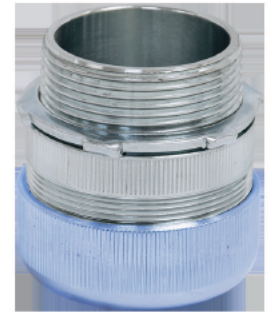
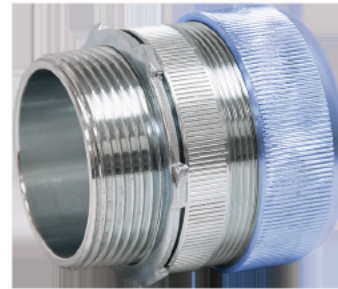
Standard Finish

Zinc Plated

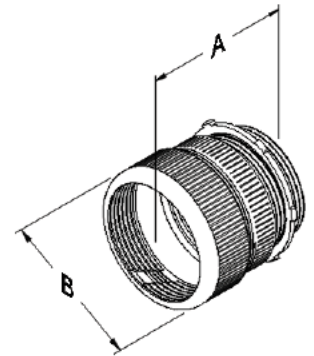
Applicable Third Party Standards

- UL us listed UL 514B; C22.2 No. 18.3-12
- UL Listed File # E207875

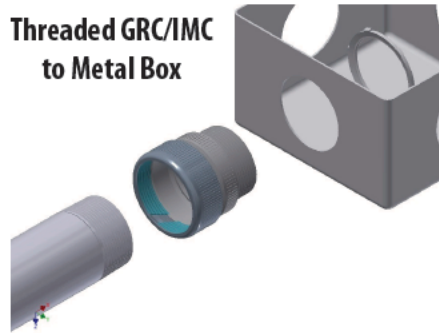
U.S. Patent No. 8.586.881



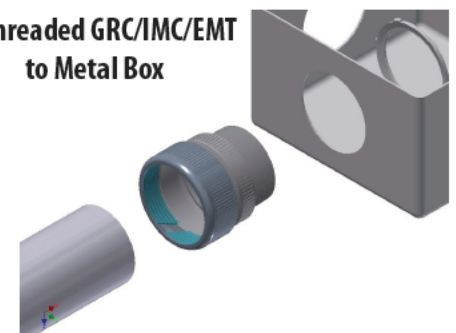
**No disassembly required!
Just insert and tighten.**



**Threaded GRC/IMC
to Metal Box**



**Unthreaded GRC/IMC/EMT
to Metal Box**



CATALOG NUMBER	REPLACES PART NUMBER	TRADE SIZE	DIM A	DIM B	INNER PACK	MASTER PACK	WEIGHT PER UNIT (lbs)
SRCCR50KON*	RCC50KON	½"	2.113	1.240	25	100	0.254
SRCCR75KON*	RCC75KON	¾"	2.152	1.440	25	100	0.316
SRCCR100KON*	RCC100KON	1"	2.339	1.720	10	50	0.422
SRCCR125KON*	RCC125KON	1 ¼"	2.644	2.070	5	25	0.636
SRCCR150KON*	RCC150KON	1 ½"	2.732	2.320	5	25	0.754
SRCCR200KON*	RCC200KON	2"	2.810	2.800	2	10	1.024
SRCCR250KON**	RCC250KON	2 ½"	3.560	3.450	2	2	2.200
SRCCR300KON**	RCC300KON	3"	3.590	4.080	1	1	2.800
SRCCR350KON**	RCC350KON	3 ½"	3.830	4.590	1	1	3.500
SRCCR400KON**	RCC400KON	4"	3.910	5.090	1	1	4.000

* Use with Rigid and IMC

** Use with Rigid, IMC, and EMT