

RIGID • IMC Universal Super Fitting™ Connector



Applications

- Used to join conduit to a metal box
- Metal box to threaded GRC/IMC
- Metal box to unthreaded GRC/IMC
- Metal box to thin wall EMT
- Metal box to PVC

Features

- UL Listed concrete tight
- Permitted for use in Class I Division 2 locations per section 501.10(B)(1) of the NEC®
- Permitted for use in Class II Division 2 locations per section 502.10(B)(1) of the NEC®
- Ease of installation/quick-connect
- Universal connecting - threaded or unthreaded
- No more turning pipe
- Self pipe alignment
- Eliminates field threading
- Fit GRC/IMC/EMT (fits all UL approved metal pipe)
- Fit PVC Schedule 40 and Schedule 80
- 40 to 50% less weight

Standard Materials

Steel

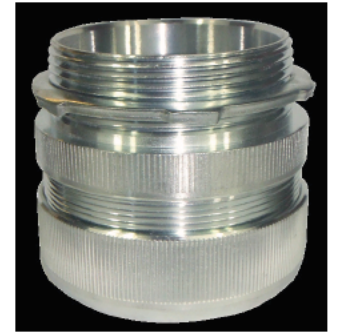
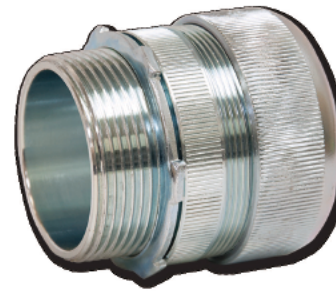
Standard Finish

Zinc Plated

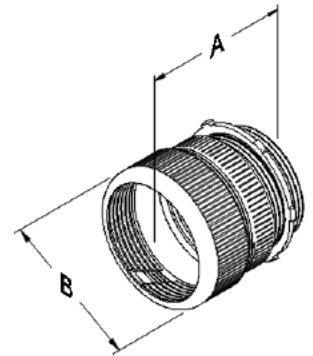
Applicable Third Party Standards

- UL us Listed UL 514B; C22.2 No. 18.3-12
- UL Listed File # E207875

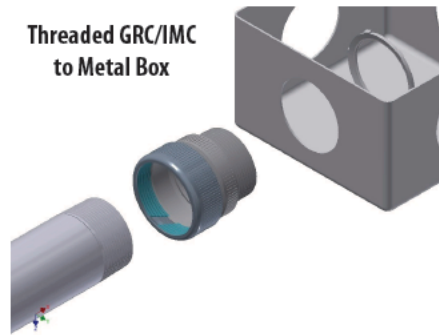
U.S. Patent No. 8.586.881



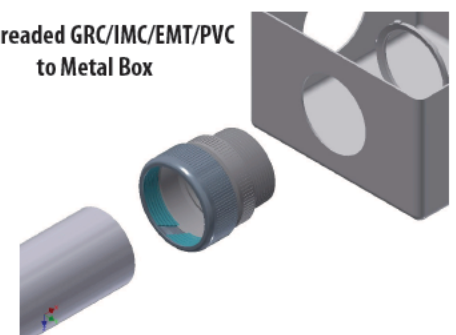
**No disassembly required!
Just insert and tighten.**



Threaded GRC/IMC
to Metal Box



Unthreaded GRC/IMC/EMT/PVC
to Metal Box



CATALOG NUMBER	REPLACES PART NUMBER	TRADE SIZE	DIM A	DIM B	INNER PACK	MASTER PACK	WEIGHT PER UNIT (lbs)
SRCC50KON*	RCC50KON	½"	1.837	1.240	25	100	0.226
SRCC75KON*	RCC75KON	¾"	1.877	1.440	25	100	0.280
SRCC100KON*	RCC100KON	1"	2.111	1.720	10	50	0.382
SRCC125KON*	RCC125KON	1 ¼"	2.339	2.070	5	25	0.572
SRCC150KON*	RCC150KON	1 ½"	2.427	2.320	5	25	0.694
SRCC200KON*	RCC200KON	2"	2.505	2.800	2	10	0.874
SRCC250KON**	RCC250KON	2 ½"	3.460	3.450	2	2	2.100
SRCC300KON**	RCC300KON	3"	3.490	4.080	1	1	2.700
SRCC350KON**	RCC350KON	3 ½"	3.730	4.590	1	1	3.400
SRCC400KON**	RCC400KON	4"	3.810	5.090	1	1	3.900

* Use with Rigid and IMC

** Use with Rigid, IMC, EMT and PVC