

EMT FITTINGS

EMT Steel Compression to Threaded Rigid Couplings & EMT Steel Set Screw to Rigid Set Screw Couplings



Applications

To join EMT to Rigid or IMC

Features

- Pre-set and staked tri-head screws
- Heavy steel walls
- Concrete tight

Standard Materials

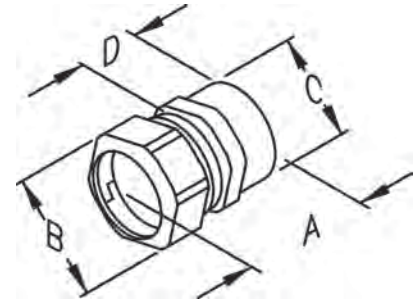
Steel

Standard Finish

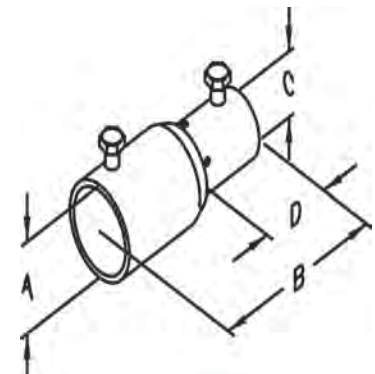
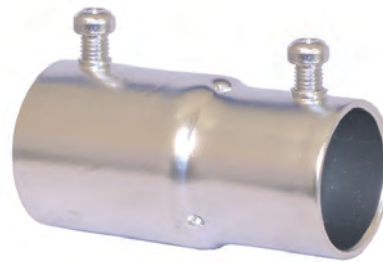
Zinc plated

Applicable Third Party Standards

- UL Standard: 514B
- Fed. Spec. W-F-408E
- NEMA: FB-1
- UL Listed File # E207875



EMT Steel Compression to Threaded Rigid Couplings



EMT Steel Set Screw to Rigid Set Screw Couplings

EMT Steel Compression to Threaded Rigid Couplings

CATALOG NUMBER	TRADE SIZE	DIM A	DIM B	DIM C	DIM D	MASTER PACK	WEIGHT PER C
ERC50KON	1/2"	1.313	1.125	0.875	0.688	350	8.8
ERC75KON	3/4"	1.438	1.375	1.125	0.750	200	13.8
ERC100KON	1"	1.500	1.688	1.375	0.938	110	19.7

ERC is concrete tight

EMT Steel Set Screw to Rigid Set Screw Couplings

CATALOG NUMBER	TRADE SIZE	DIM A	DIM B	DIM C	DIM D	MASTER PACK	WEIGHT PER C
ERSS50KON	1/2"	1.000	2.375	0.875	0.938	250	13.8
ERSS75KON	3/4"	1.250	2.813	1.125	1.125	130	23.5
ERSS100KON	1"	1.500	3.000	1.375	1.188	100	33.4

ERSS is concrete tight when taped