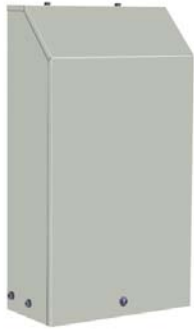


# GUARDIAN/GUARDIANX SERIES FILTER FANS FILTER-HOOD ASSEMBLIES



## DESCRIPTION (P/N: KNPA60FL(V))

These Filter-Hood Assemblies can be used in conjunction with the Guardian/GuardianX Series Filter Fans for enclosure cooling. In a typical mounting orientation the motorized Filter Fan pulls air into an enclosure while the Filter-Hood Assembly functions as an outlet. Alternatively, if the reverse airflow option is chosen for the filter fan, the fan exhausts the enclosure and the Filter-Hood Assembly functions as an intake. These Filter-Hood Assemblies feature filters that are easily removed for cleaning or replacement. **Approximate weight: 8.5 lbs.**



**NEMA  
TYPE 4 OR 4X  
MAINTAINED**

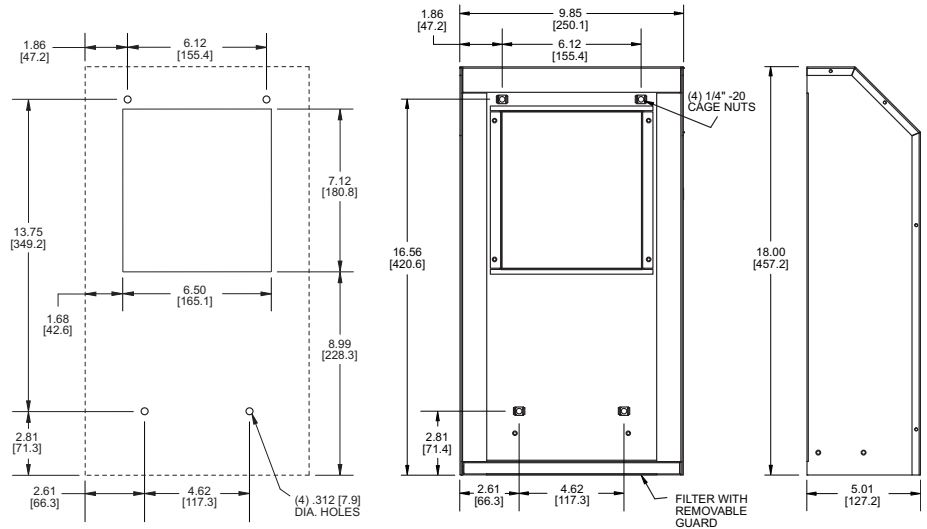
KNPA60FL(V)

### STANDARD FEATURES

- Baked Powder Finish
- Filter
- Integrated Sealing Gasket
- IP55 Filter Protection
- NEMA 4 or 4X Rating Maintained (If used with provided filter)
- Secure Mounting
- Stainless Steel Shell (NEMA 4X models)
- UL/CUL Listed
- Washable, Reuseable Filter

### ACCESSORIES AND OPTIONS

Replacement Filters (P/N: 0429-01-01)



MOUNTING PLAN

KNPA60FL(V)

### HOW TO ORDER

Specify model number. For GuardianX, add V.  
Example: KNPA60FLV.

### TYPICAL MOUNTING ORIENTATIONS

(Left) Filter Fan pressurizes cabinet. Filter-Hood Assembly exhausts cabinet. (Right) Filter Fan with Reverse Option chosen. Blue arrows show direction of airflow. Boxes represent side view of electronics/electrical enclosure.

