

# KNHX47 AIR-TO-AIR PANEL-MOUNTED HEAT EXCHANGERS



**NEMA  
TYPE 4/4X  
MAINTAINED**

Find additional information on this model at [kooltronic.com](http://kooltronic.com), or use the Technical Documents QR code below.

Technical Documents



## TECHNICAL DATA\*

Model	Volts	Power		Maximum Temperature °F		Performance Watts/°F (Air In)	Approx. Weight (lbs.)
		Amps	Watts	Enclosure	Ambient		
KNHX47	115	3.00	340	160	-20 to 131	54	135
K2NHX47	230	2.10	440	160	-20 to 131	56	135

## STANDARD FEATURES

- Closed-Loop Near-Ambient Cooling
- Epoxy-coated aluminum element
- Filter
- Gasketed Flanges
- NEMA 4/4X Rating Maintained (UL50)
- Stainless Steel Shell
- UL Listed

## ACCESSORIES AND OPTIONS

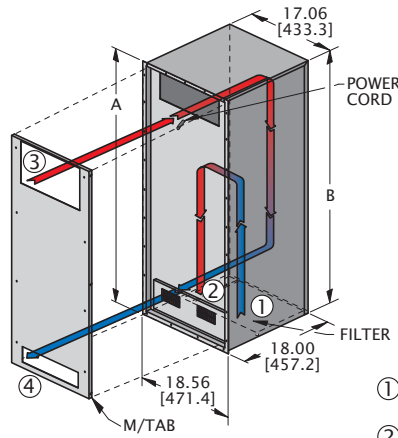
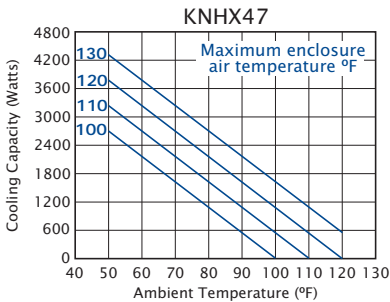
- Filter Recoating Adhesive
- Lifting Eyes
- Low Airflow Detector
- Other voltages and frequencies
- Replacement Filters
- Special materials or finishes
- Special motors, line cords, or connectors
- Temperature Alarm

## DIMENSIONS

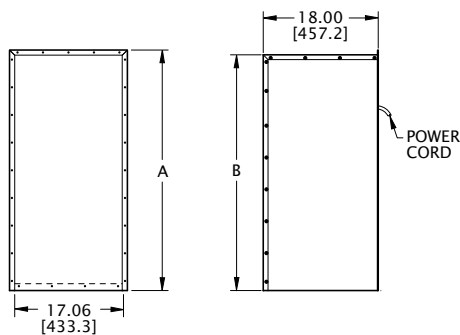
### KNHX47

A	47.00 [1193.8]
B	46.25 [1174.8]
C	45.94 [1166.9]
D	12.25 [311.2]
E	11.25 [285.8]
F	27.38 [695.5]
G	2.50 [63.5]
H	4.00 [101.6]
J	8
K	33

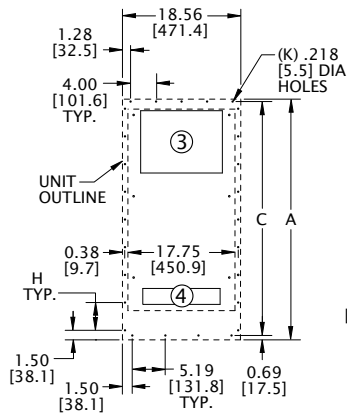
## PERFORMANCE\*



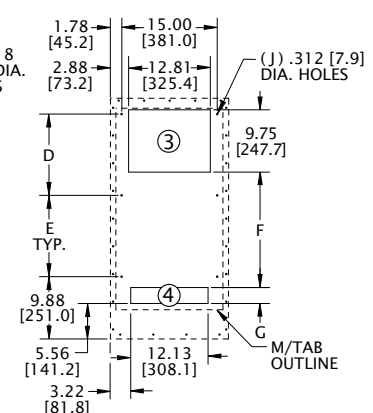
- ① FILTERED CONDENSER AIR INLET (Ambient Air In)
- ② CONDENSER OUTLET (Warm Ambient Air Out)
- ③ WARM AIR RETURN FROM ENCLOSURE
- ④ COOL AIR OUTLET TO ENCLOSURE



UNIT MUST BE 12" [300mm]  
MINIMUM ABOVE FLOOR  
FOR FILTER ACCESS



MOUNTING PLAN  
UNIT



MOUNTING PLAN  
M/TAB & CUTOUTS

Dimensions, inches [mm], are for reference only and subject to change.

\* 60 Hz. operation. For 50 Hz. operation, consult Kooltronic.