

Gearmotors

P1100 Series - AC Gearmotors - Parallel Shaft

Output Torque - 70-1105 In-Lbs

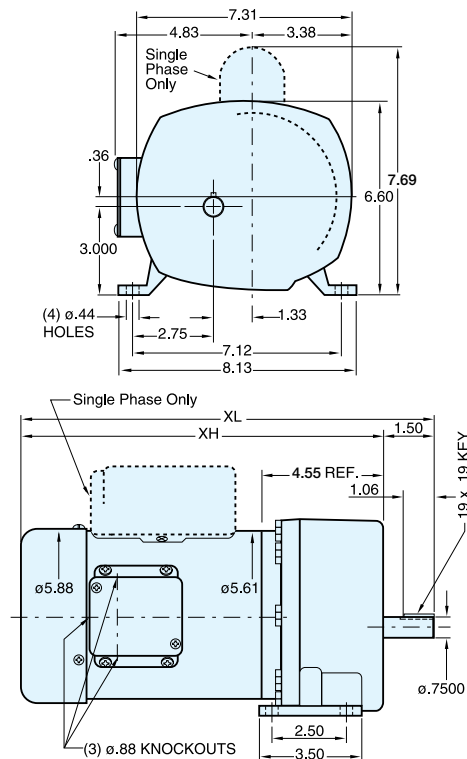


Features:

- Capacitor start designs rated for 115/230VAC 60 HZ input
- Rugged die cast aluminum gear housing for maximum gear and bearing support
- Precision machined gearing, hardened for maximum load capability
- All gearing designed and rated to AGMA class 9 standards, and to withstand momentary shock overload of 200%
- Oversized output bearings for greater overhung load capacity and long life
- High carbon alloy output shaft provides maximum strength and rigidity
- All needle bearing journals are precision ground after heat treating to provide maximum fit and finish
- Heavy duty industrial oil seals keep lubricant in and dirt out
- Gears and bearings are splash lubricated with permanent, heavy duty gear oil
- Conduit box included as standard

Application Notes:

- These gearmotors are designed for mounting at any angle, but motor below the reducer should be avoided to prevent leakage of lubricant into the motor should the motor shaft seal fail
- Overhung load capacities shown are at center of output shaft
- For additional information, see Bulletin 1830
- **Bison/Dayton direct interchange**



P1100 Series - AC Gearmotors - Parallel Shaft

Single Phase - 115/230 Volt - TEFC - P1100 Series

Output RPM	F.L. Torque (Lb.in.)	Input HP	Catalog Number	Stock
8	975	1/4	107000.00	√
12	1030	1/4	107004.00	√
18	800	1/4	107003.00	√
26	569	1/4	107002.00	√
59	248	1/4	107005.00	√
133	114	1/4	107001.00	√
18	1089	1/3	107006.00	√
26	752	1/3	107012.00	√
41	461	1/3	107011.00	√
59	330	1/3	107010.00	√
91	224	1/3	107009.00	√
157	125	1/3	107008.00	√
288	70	1/3	107007.00	√
22	1105	1/2	107013.00	√
41	700	1/2	107017.00	√
59	496	1/2	107016.00	√
91	336	1/2	107015.00	√
133	229	1/2	107014.00	√

Model Number	Gearmotor Type & Frame	Ratio to 1	F.L. Amps @ 115V	Over-hung Load (lb.)	Dimensions (inches)		♥Notes
					XL	XH	
4C17FZ24	P1103-48	212	5.4	700	13.42	11.92	S, US
4C17FZ28	P1103-48	143	5.4	700	13.42	11.92	S, US
4C17FZ27	P1103-48	95	5.4	700	13.42	11.92	S, US
4C17FZ26	P1103-48	66	5.4	650	13.42	11.92	S, US
4C17FZ29	P1102-48	29	5.4	625	13.42	11.92	S, US
4C17FZ25	P1102-48	13	5.4	525	13.42	11.92	S, US
4C17FZ30	P1103-48	95	6.2	700	13.67	13.17	S, US
4C17FZ36	P1103-48	66	6.2	650	13.67	13.17	S, US
4C17FZ35	P1102-48	42	6.2	650	13.67	13.17	S, US
4C17FZ34	P1102-48	29	6.2	625	13.67	13.17	S, US
4C17FZ33	P1102-48	19	6.2	575	13.67	13.17	S, US
4C17FZ32	P1102-48	11	6.2	500	13.67	13.17	S, US
4C17FZ31	P1102-48	6	6.2	400	13.67	13.17	S, US
4C17FZ37	P1103-48	79	8.8	700	14.17	12.67	S, US
4C17FZ41	P1102-48	42	8.8	650	14.17	12.67	S, US
4C17FZ40	P1102-48	29	8.8	625	14.17	12.67	S, US
4C17FZ39	P1102-48	19	8.8	575	14.17	12.67	S, US
4C17FZ38	P1102-48	13	8.8	525	14.17	12.67	S, US

Specifications are subject to change without notice

♥ Note listing on inside back flap

Three Phase - 230/460 Volt - TEFC - P1100 Series

Output RPM	F.L. Torque (Lb.in.)	Input HP	Catalog Number	Stock
18	1089	1/3	107025.00	√
26	752	1/3	107026.00	√
41	461	1/3	107027.00	√
59	330	1/3	107028.00	√
91	224	1/3	107029.00	√
157	125	1/3	107030.00	√
288	70	1/3	107031.00	√
22	1105	1/2	107032.00	√
41	700	1/2	107033.00	√
59	496	1/2	107034.00	√
91	336	1/2	107035.00	√
133	229	1/2	107036.00	√
288	100	1/2	107037.00	√

Model Number	Gearmotor Type & Frame	Ratio to 1	F.L. Amps @ 115V	Over-hung Load (lb.)	Dimensions (inches)		♥Notes
					XL	XH	
4T17FZ47	P1103-48	95	1.6	700	12.92	11.42	S, US
4T17FZ53	P1103-48	66	1.6	650	12.92	11.42	S, US
4T17FZ54	P1102-48	42	1.6	650	12.92	11.42	S, US
4T17FZ55	P1102-48	29	1.6	625	12.92	11.42	S, US
4T17FZ56	P1102-48	19	1.6	575	12.92	11.42	S, US
4T17FZ57	P1102-48	11	1.6	500	12.92	11.42	S, US
4T17FZ58	P1102-48	6	1.6	400	12.92	11.42	S, US
4T17FZ48	P1103-48	79	2.0	700	13.42	11.92	S, US
4T17FZ49	P1102-48	42	2.0	650	13.42	11.92	S, US
4T17FZ50	P1102-48	29	2.0	625	13.42	11.92	S, US
4T17FZ51	P1102-48	19	2.0	575	13.42	11.92	S, US
4T17FZ52	P1102-48	13	2.0	500	13.42	11.92	S, US
4T17FZ46	P1102-48	6	2.0	400	13.42	11.92	S, US

Specifications are subject to change without notice

♥ Note listing on inside back flap



IEC Motors

DC Motors

Gearmotors

AC / DC Controls

Accessories / Kits

Molds / Factory Options

X-Ref / Index

Tech Information

Terms / Warnings